

# JVC

## SERVICE MANUAL

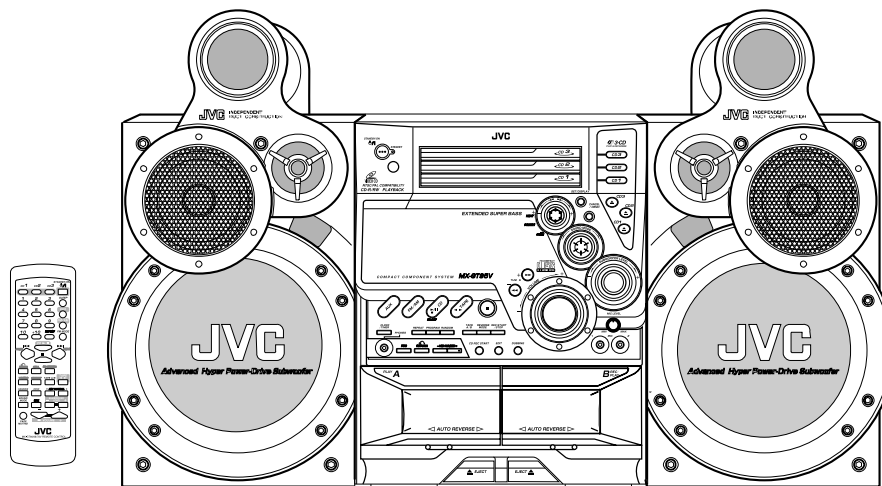
### COMPACT COMPONENT SYSTEM

# MX-GT98V/MX-GT95V MX-GT88V/MX-GT85V MX-G78V/MX-G75V

Area suffix

US ----- Singapore

UN -----Asean



SP-MXGT98V  
SP-MXGT95V

CA-MXGT98V  
CA-MXGT95V

SP-MXGT98V  
SP-MXGT95V

COMPACT  
disc  
DIGITAL AUDIO

COMPACT  
disc  
DIGITAL VIDEO

(No MIC jack and MIC LEVEL volume for UN ver.)

## Contents

Safety precautions .....	1-2	Flow of functional operation	
Important for laser products .....	1-3	until TOC read .....	1-33
Preventing static electricity .....	1-4	Maintenance of laser pickup .....	1-34
Disassembly method .....	1-5	Replacement of laser pickup .....	1-34
Adjustment method .....	1-29	Description of major ICs .....	1-35-49

## Safety Precautions

1. This design of this product contains special hardware and many circuits and components specially for safety purposes. For continued protection, no changes should be made to the original design unless authorized in writing by the manufacturer. Replacement parts must be identical to those used in the original circuits. Services should be performed by qualified personnel only.
2. Alterations of the design or circuitry of the product should not be made. Any design alterations of the product should not be made. Any design alterations or additions will void the manufacturer's warranty and will further relieve the manufacture of responsibility for personal injury or property damage resulting therefrom.
3. Many electrical and mechanical parts in the products have special safety-related characteristics. These characteristics are often not evident from visual inspection nor can the protection afforded by them necessarily be obtained by using replacement components rated for higher voltage, wattage, etc. Replacement parts which have these special safety characteristics are identified in the Parts List of Service Manual. Electrical components having such features are identified by shading on the schematics and by ( $\triangle$ ) on the Parts List in the Service Manual. The use of a substitute replacement which does not have the same safety characteristics as the recommended replacement parts shown in the Parts List of Service Manual may create shock, fire, or other hazards.
4. The leads in the products are routed and dressed with ties, clamps, tubings, barriers and the like to be separated from live parts, high temperature parts, moving parts and/or sharp edges for the prevention of electric shock and fire hazard. When service is required, the original lead routing and dress should be observed, and it should be confirmed that they have been returned to normal, after re-assembling.

5. Leakage current check (Electrical shock hazard testing)

After re-assembling the product, always perform an isolation check on the exposed metal parts of the product (antenna terminals, knobs, metal cabinet, screw heads, headphone jack, control shafts, etc.) to be sure the product is safe to operate without danger of electrical shock.

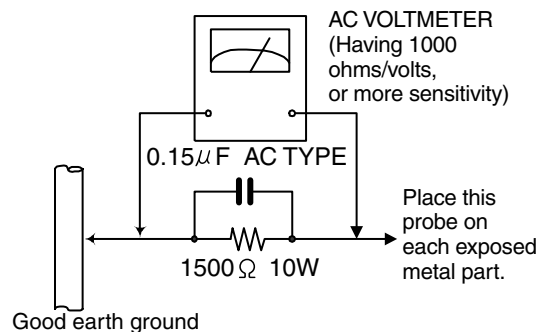
Do not use a line isolation transformer during this check.

- Plug the AC line cord directly into the AC outlet. Using a "Leakage Current Tester", measure the leakage current from each exposed metal parts of the cabinet, particularly any exposed metal part having a return path to the chassis, to a known good earth ground. Any leakage current must not exceed 0.5mA AC (r.m.s.).

- Alternate check method

Plug the AC line cord directly into the AC outlet. Use an AC voltmeter having, 1,000 ohms per volt or more sensitivity in the following manner. Connect a 1,500  $\Omega$  10W resistor paralleled by a 0.15  $\mu$ F AC-type capacitor between an exposed metal part and a known good earth ground. Measure the AC voltage across the resistor with the AC voltmeter.

Move the resistor connection to each exposed metal part, particularly any exposed metal part having a return path to the chassis, and measure the AC voltage across the resistor. Now, reverse the plug in the AC outlet and repeat each measurement. Voltage measured any must not exceed 0.75 V AC (r.m.s.). This corresponds to 0.5 mA AC (r.m.s.).



## Warning

1. This equipment has been designed and manufactured to meet international safety standards.
2. It is the legal responsibility of the repairer to ensure that these safety standards are maintained.
3. Repairs must be made in accordance with the relevant safety standards.
4. It is essential that safety critical components are replaced by approved parts.
5. If mains voltage selector is provided, check setting for local voltage.

## CAUTION

**Burrs formed during molding may be left over on some parts of the chassis. Therefore, pay attention to such burrs in the case of preforming repair of this system.**

In regard with component parts appearing on the silk-screen printed side (parts side) of the PWB diagrams, the parts that are printed over with black such as the resistor (■), diode (▣) and ICP (●) or identified by the " $\triangle$ " mark nearby are critical for safety.

When replacing them, be sure to use the parts of the same type and rating as specified by the manufacturer. (Except the J&C version)

# Important for laser products

## 1. CLASS 1 LASER PRODUCT

**2. DANGER :** Invisible laser radiation when open and interlock failed or defeated. Avoid direct exposure to beam.

**3. CAUTION :** There are no serviceable parts inside the Laser Unit. Do not disassemble the Laser Unit. Replace the complete Laser Unit if it malfunctions.

**4. CAUTION :** The compact disc player uses invisible laser radiation and is equipped with safety switches which prevent emission of radiation when the drawer is open and the safety interlocks have failed or are defeated. It is dangerous to defeat the safety switches.

**5. CAUTION :** If safety switches malfunction, the laser is able to function.

**6. CAUTION :** Use of controls, adjustments or performance of procedures other than those specified herein may result in hazardous radiation exposure.

**⚠ CAUTION** Please use enough caution not to see the beam directly or touch it in case of an adjustment or operation check.

**WARNING :** Osynlig laserstrålning är denna del är öppnad och spårren är urkopplad. Betrakta ej strålen.

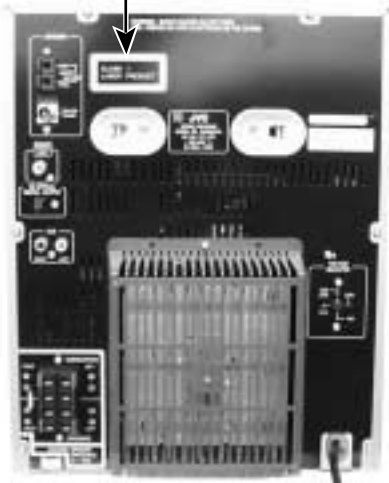
**VARO :** Avattaessa ja suojalukitus ohitettaessa olet alttiina näkymättömälle lasersäteilylle. Älä katso säteeseen.

**ADVARSEL :** Usynlig laserstrålning ved åbning , når sikkerhedsafbrydere er ude af funktion. Undgå udsættelse for stråling.

**ADVARSEL :** Usynlig laserstrålning ved åbning, når sikkerhedsbryteren er avslott. unngå utsettelse for stråling.

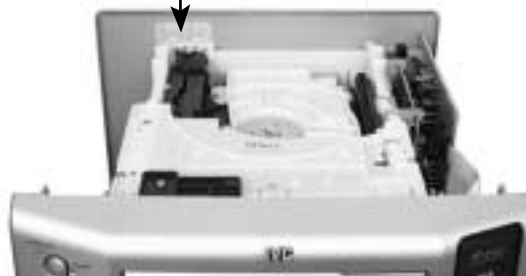
## Position of labels

CLASS 1  
LASER PRODUCT



WARNING LABEL

DANGER : Invisible laser radiation when open and interlock or defeated. AVOID DIRECT EXPOSURE TO BEAM (e)	WARNING : Osynlig laserstrålning är denna del är öppnad och spårren är urkopplad. Betrakta ej strålen. (s)
ADVARSEL : Usynlig laserstrålning ved åbning , når sikkerhedsafbrydere er ude af funktion. Undgå udsættelse for stråling. (f)	VARO : Avattaessa ja suojalukitus ohitettaessa olet alttiina näkymättömälle lasersäteilylle. Älä katso säteeseen. (d)



## Preventing static electricity

### 1. Grounding to prevent damage by static electricity

Electrostatic discharge (ESD), which occurs when static electricity stored in the body, fabric, etc. is discharged, can destroy the laser diode in the traverse unit (optical pickup). Take care to prevent this when performing repairs.

### 2. About the earth processing for the destruction prevention by static electricity

In the equipment which uses optical pick-up (laser diode), optical pick-up is destroyed by the static electricity of the work environment.

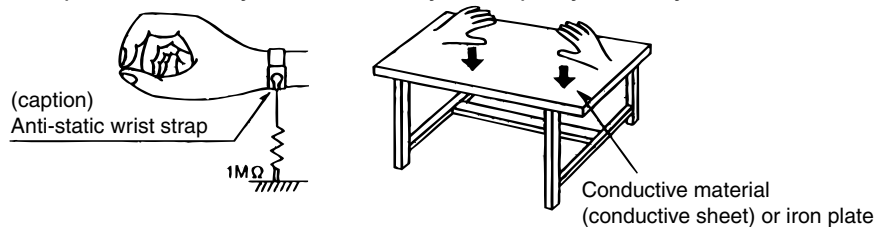
Be careful to use proper grounding in the area where repairs are being performed.

#### 2-1 Ground the workbench

Ground the workbench by laying conductive material (such as a conductive sheet) or an iron plate over it before placing the traverse unit (optical pickup) on it.

#### 2-2 Ground yourself

Use an anti-static wrist strap to release any static electricity built up in your body.



### 3. Handling the optical pickup

1. In order to maintain quality during transport and before installation, both sides of the laser diode on the replacement optical pickup are shorted. After replacement, return the shorted parts to their original condition. (Refer to the text.)

2. Do not use a tester to check the condition of the laser diode in the optical pickup. The tester's internal power source can easily destroy the laser diode.

### 4. Handling the traverse unit (optical pickup)

1. Do not subject the traverse unit (optical pickup) to strong shocks, as it is a sensitive, complex unit.

2. Cut off the shorted part of the flexible cable using nippers, etc. after replacing the optical pickup. For specific details, refer to the replacement procedure in the text. Remove the anti-static pin when replacing the traverse unit. Be careful not to take too long a time when attaching it to the connector.

3. Handle the flexible cable carefully as it may break when subjected to strong force.

4. It is not possible to adjust the semi-fixed resistor that adjusts the laser power. Do not turn it

### Attention when traverse unit is decomposed

**\*Please refer to "Disassembly method" in the text for pick-up and how to detach the CD traverse mechanism.**

1. Remove the disk stopper and T. bracket on the CD changer mechanism assembly.

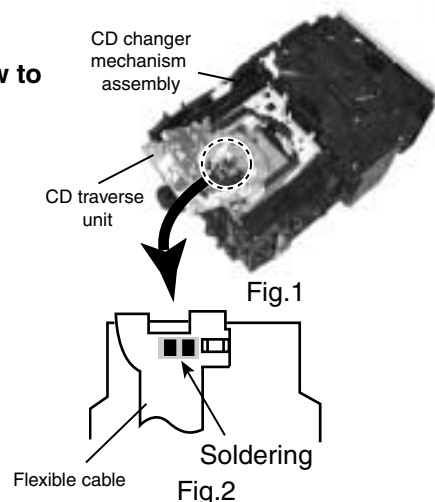
2. Disconnect the harness from connector on the CD motor board.

3. CD traverse unit is put up as shown in Fig.1.

4. Solder is put up before the card wire is removed from connector CN601 on the CD servo control board as shown in Fig. 2.

(When the wire is removed without putting up solder, the CD pick-up assembly might destroy.)

5. Please remove solder after connecting the card wire with CN601 when you install picking up in the substrate.



## Disassembly method

### <Main body>

#### ■ Removing the metal cover

(See Fig.1 to 3)

1. Remove the six screws **A** on the back of the body.
2. Remove the two screws **B** on both sides of the body.
3. Remove the metal cover from the body by lifting the rear part of the cover.

CAUTION: Do not break the front panel tab fitted to the metal cover.

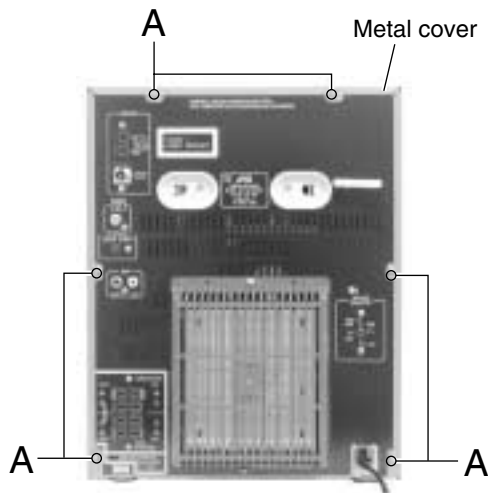


Fig.1

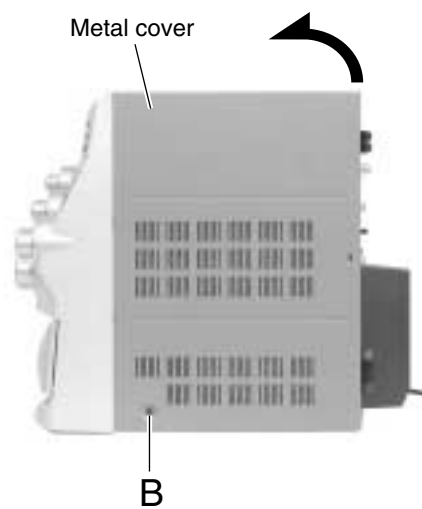


Fig.2

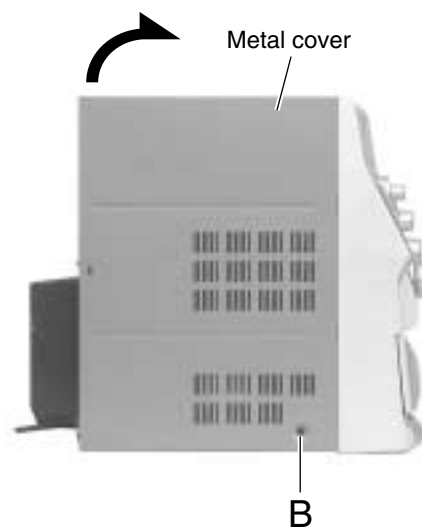


Fig.3

■ **Removing the CD changer mechanism assembly (See Fig.4 and 6)**

• Prior to performing the following procedure, remove the metal cover.

1. Disconnect the wire from connector CN705 on the amplifier board.
2. Remove the plastic rivet attaching the main board to the front assembly on the right side of the body.
3. Disconnect the card wire from connector CN561 on the main board.
4. Remove the two screws **C** on the upper side of the body and the two screws **D** on the back of the rear panel.
5. Pull both the rear panel and the front panel assembly to the outside, then remove the CD changer mechanism assembly by lifting the rear part of the assembly.

REFERENCE: At this point, one card wire on the underside of the CD mechanism assembly is still connected.

6. Disconnect the card wire from connector CN504 on the inner side of the main board on the right side of the body. Remove the CD mechanism assembly.

CAUTION: To prevent damage to the CD fitting, be sure to pull both the rear panel and the front panel assembly enough to remove the CD changer mechanism assembly.

■ **Removing the fan (See Fig.7)**

• Prior to performing the following procedure, remove the metal cover and the CD changer mechanism assembly.

1. Turn over the CD changer mechanism assembly and remove the two screws **E** attaching the fan.

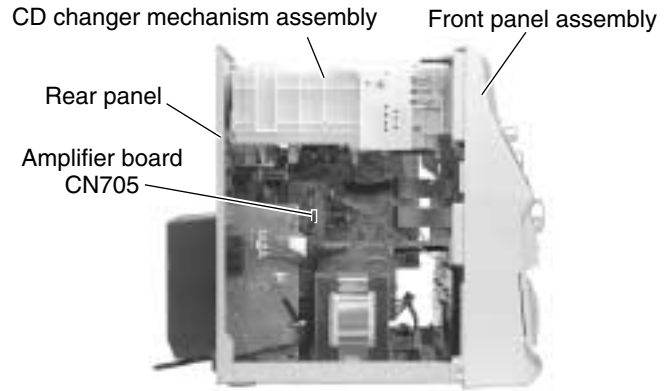


Fig.4

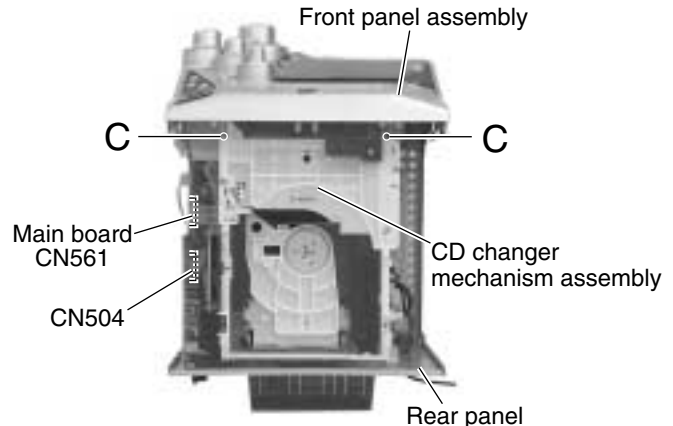


Fig.5

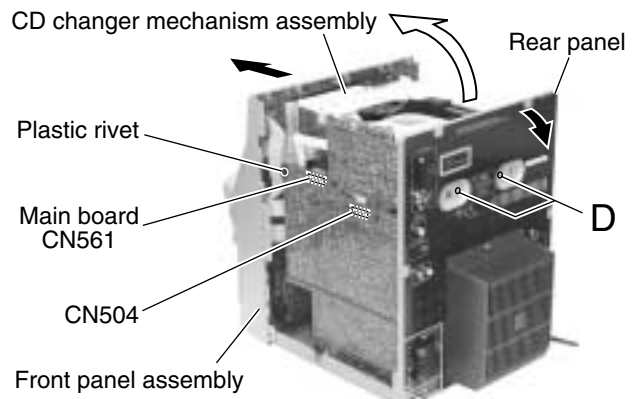


Fig.6

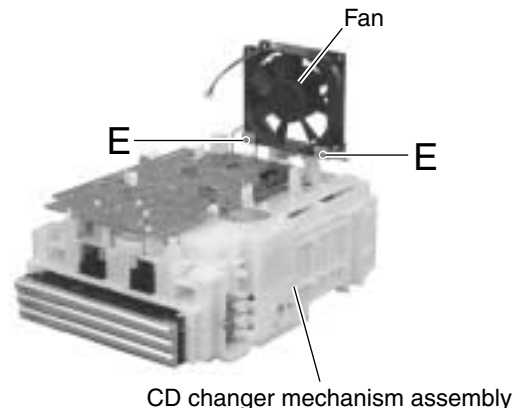


Fig.7

**■ Removing the front panel assembly  
(See Fig.8 to 11)**

Prior to performing the following procedure, remove the metal cover and CD changer mechanism assembly.

1. Disconnect the card wires from connector CN870, CN871 and CN315 on the main board respectively.
2. Remove the wire clamp and disconnect the wire from connector CN703 on the amplifier board.
3. Disconnect the wire from connector CN220 on the transformer board.
4. Remove the two screws **F** on the bottom of the body.
5. Release the two joints **a** on the lower right and left sides of the body using a screwdriver, and remove the front panel assembly toward the front.

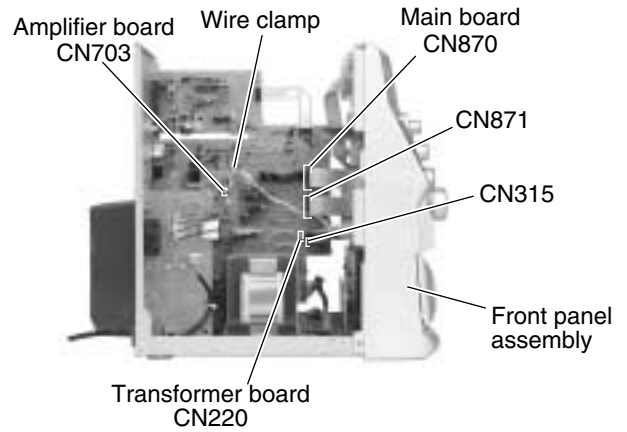


Fig.8

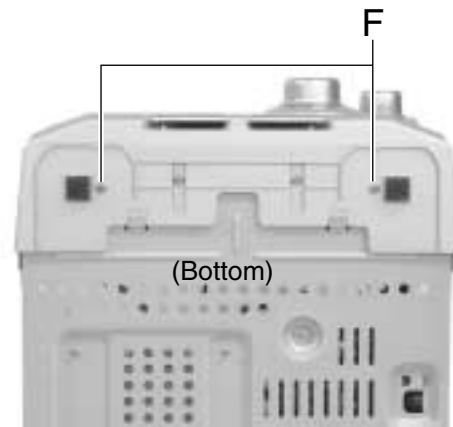


Fig.9

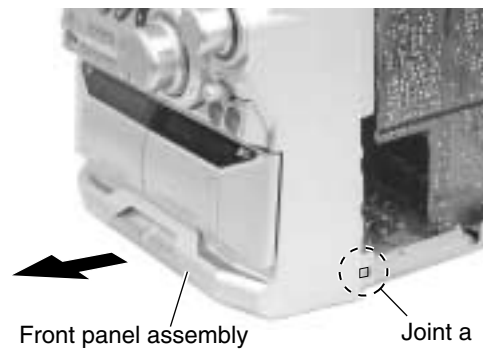


Fig.10

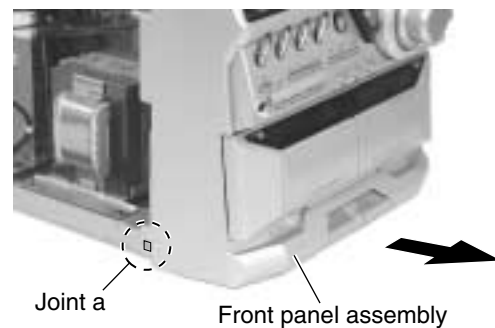


Fig.11

### ■ Removing the tuner board

(See Fig.12)

- Prior to performing the following procedure, remove the metal cover.
1. Disconnect the card wire from connector CN1 on the tuner board on the right side of the body.
  2. Remove the plastic rivet fixing the tuner board.
  3. Remove the two screws **G** on the back of the body.

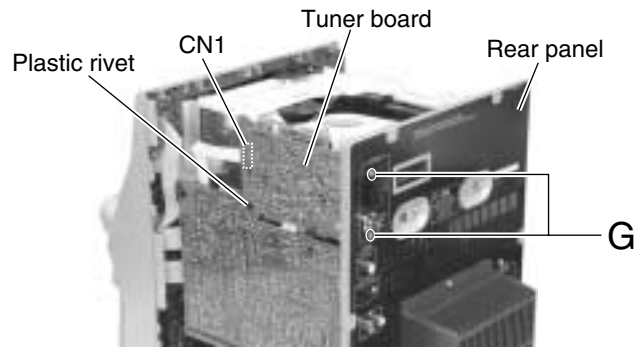


Fig.12

### ■ Removing the rear cover / rear panel

(See Fig.13 to 16)

- Prior to performing the following procedure, remove the metal cover and the CD changer mechanism assembly.
1. Remove the screw **H** attaching the rear cover on the back of the body.
  2. Push each tab of the four joints **b** in the direction of the arrow and release.
  3. Remove the fifteen screws **G** attaching the rear panel.
  4. Disengage the joints **c** on each lower side of the rear panel using a screwdriver and remove the rear panel backward.

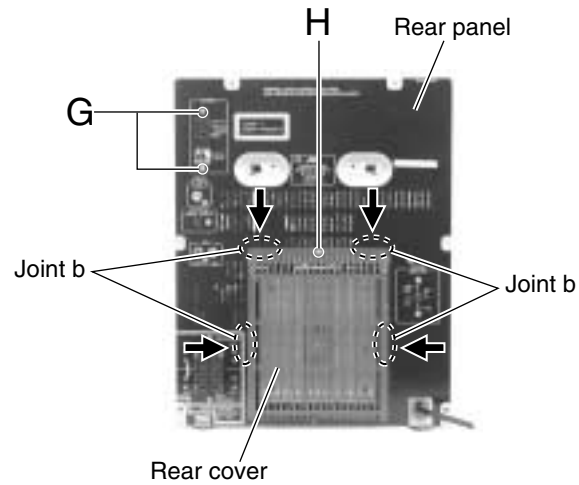


Fig.13

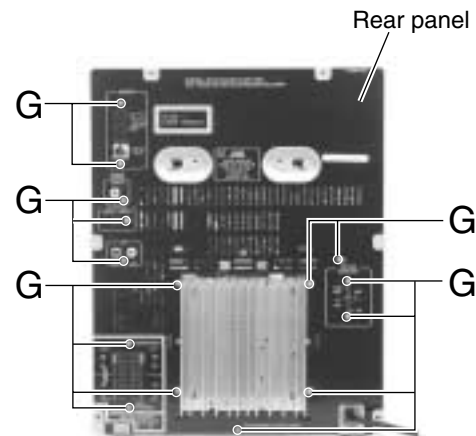


Fig.14

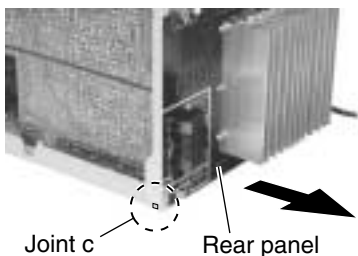


Fig.16

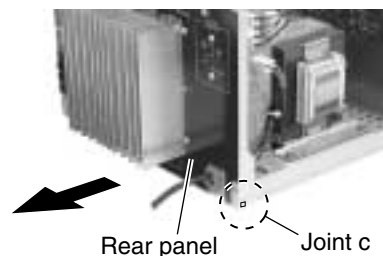


Fig.15



### ■ Removing the main board (See Fig.17 and 18)

· Prior to performing the following procedure, remove the metal cover, the CD changer mechanism assembly, the rear panel and the antenna board.

1. Disconnect the card wires from connector CN870, CN871 and CN315 on the main board.
2. Disconnect the wires from connector CN704 and CN706 on the amplifier board.
3. Remove the screw **I** attaching the main board on the right side of the body.
4. Disconnect connector CN211 and CN212 on the main board from the regulator board.

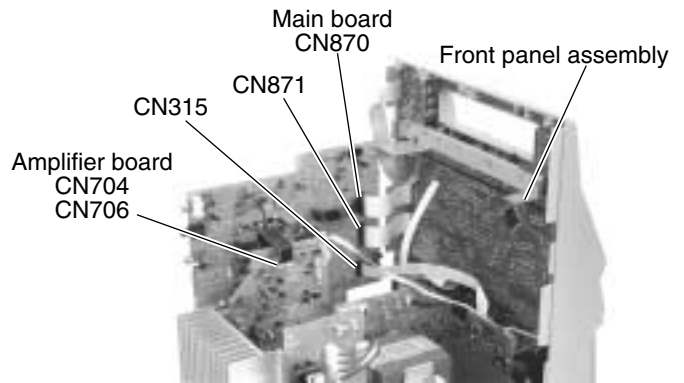


Fig.17

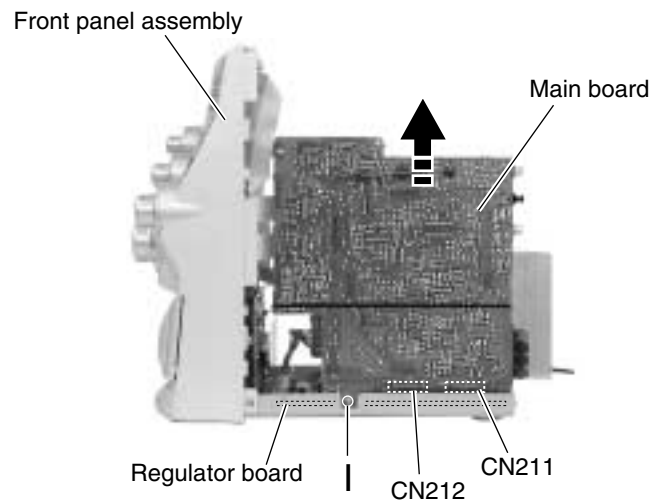


Fig.18

### ■ Removing the speaker board (See Fig.19)

· Prior to performing the following procedure, remove the metal cover, the CD changer mechanism assembly and the rear panel.

REFERENCE: It is not necessary to remove the main board.

1. Disconnect connector CN217 on the speaker board from the regulator board.

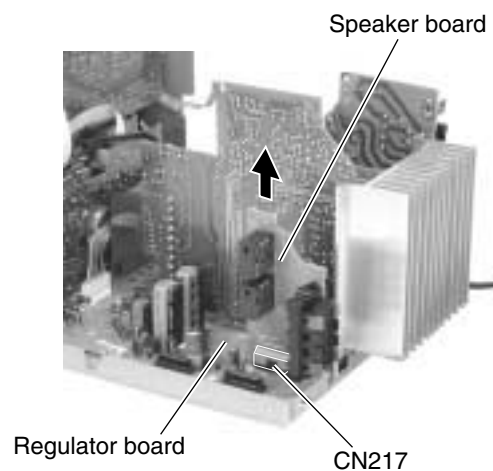


Fig.19

■ **Removing the power board (See Fig.20)**

• Prior to performing the following procedure, remove the metal cover, the CD changer mechanism assembly and the rear panel.

1. Remove a wire clamp on the power board.
2. Disconnect the wire from connector CN218, CN219 and CN250 on the power board.
3. Disconnect connector CN251 on the power board from the regulator board.

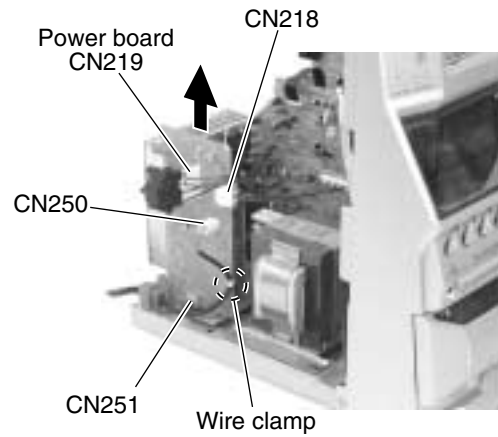


Fig.20

■ **Removing the amplifier board / voltage board / heat sink (See Fig.21 and 22)**

• Prior to performing the following procedure, remove the metal cover, the CD changer mechanism assembly and the rear panel.

1. Disconnect the wires from connector CN703, CN704 and CN706 on the amplifier board respectively.
2. Remove the two wire clamps attaching the wire to the amplifier board and the voltage board.
3. Disconnect connector CN215 on the amplifier board and CN216 on the voltage board from the regulator board (The heat sink will be detached at once).
4. Remove the four screws **J** attaching the amplifier board to the heat sink.
5. Remove the two screws **K**, the board bracket and the voltage board.

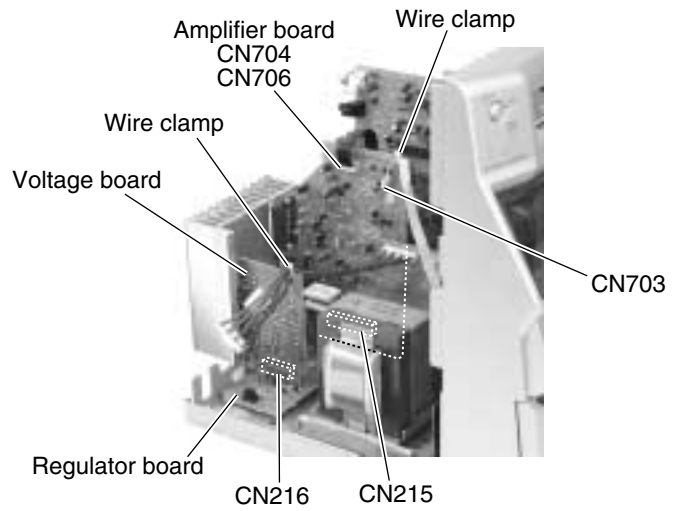


Fig.21

REFERENCE: It is not necessary to remove the power board.

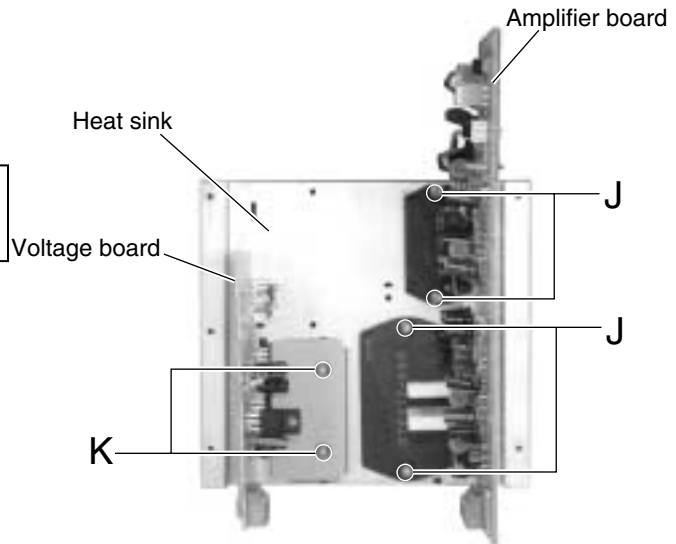
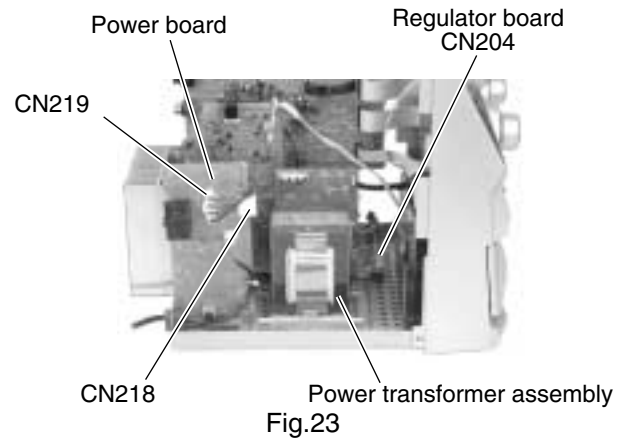


Fig.22

### ■ Removing the power transformer assembly (See Fig.23 and 24)

- Prior to performing the following procedure, remove the metal cover, the CD changer mechanism assembly and the rear panel.

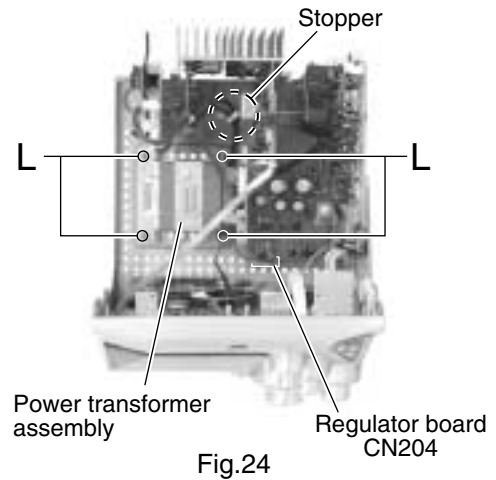
1. Disconnect the wires from connector CN218 and CN219 on the power board.
2. Disconnect the wire from connector CN204 on the regulator board.
3. Release the wire from the stopper on the regulator board.
4. Remove the four screws **L** attaching the transformer assembly.



### ■ Removing the regulator board (See Fig.25)

- Prior to performing the following procedure, remove metal cover, CD changer mechanism assembly, rear panel, antenna board, main board, amplifier board, voltage board, power board and speaker board.

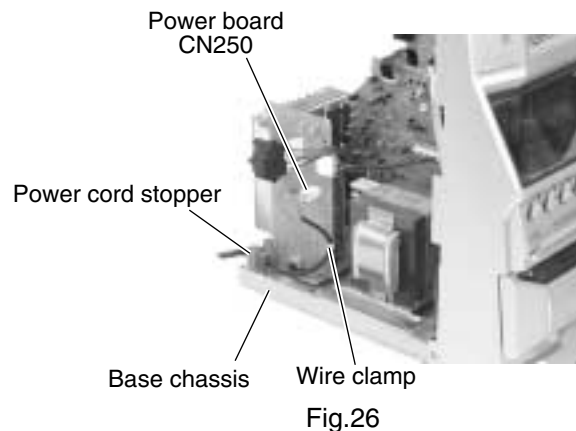
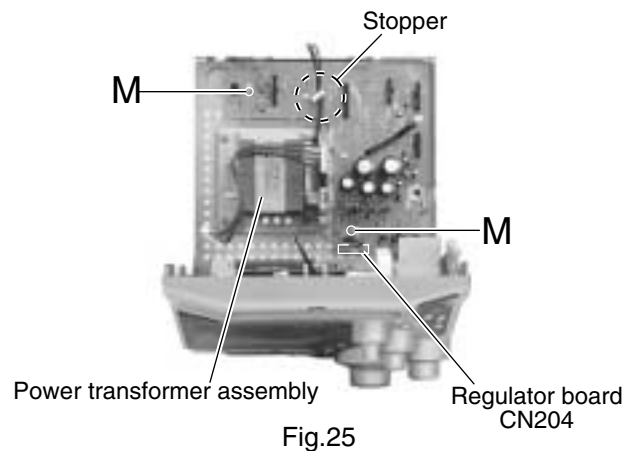
1. Disconnect the wire from connector CN204 on the regulator board.
2. Release the wire from the stopper on the regulator board.
3. Remove the two screws **M** attaching the regulator board.



### ■ Removing the power cord (See Fig.26)

- Prior to performing the following procedure, remove the metal cover, the CD changer mechanism assembly and the rear panel.

1. Disconnect the wire from connector CN250 on the power board.
2. Remove the wire clamp from the power board.
3. Move the power cord stopper upward and pull it out from the base chassis.



## <Front panel assembly>

- Prior to performing the following procedure, remove the metal cover, the CD changer mechanism assembly and the front panel assembly.

### ■ Removing the cassette mechanism assembly (See Fig.27)

1. Disconnect the card wire from connector CN306 on the head amplifier & mechanism control board.
2. Remove the seven screws **N** attaching the cassette mechanism assembly.

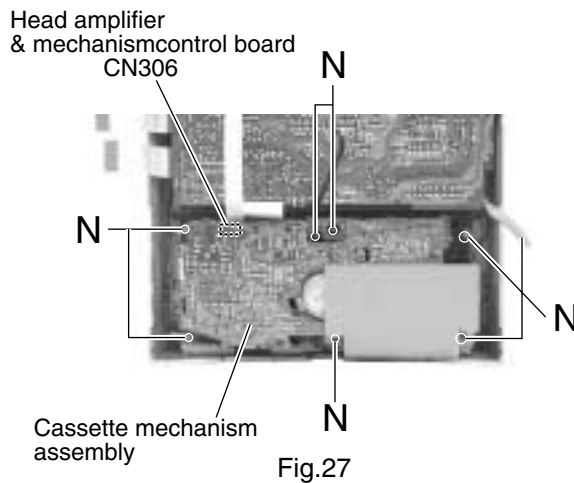


Fig.27

### ■ Removing the display system control board (See Fig.28 to 30)

1. Remove the four screws **O** attaching the stay bracket.
2. Disconnect the card wires from connector CN316 and CN880 on the display system control board.
3. Remove the six screws **P** attaching the display system control board.
4. If necessary, disconnect the wire from connector CN911 on the front side of the display system control board and unsolder FW915.

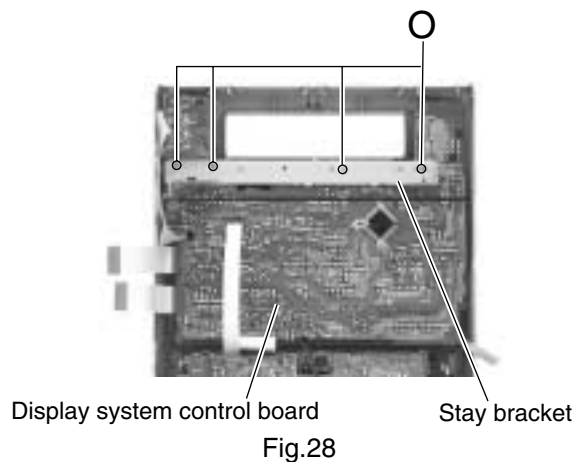


Fig.28

### ■ Removing the CD eject board (See Fig.30 and 31)

1. Remove the three screws **Q** attaching the CD eject board.
2. If necessary, unsolder FW915 on the CD eject board.

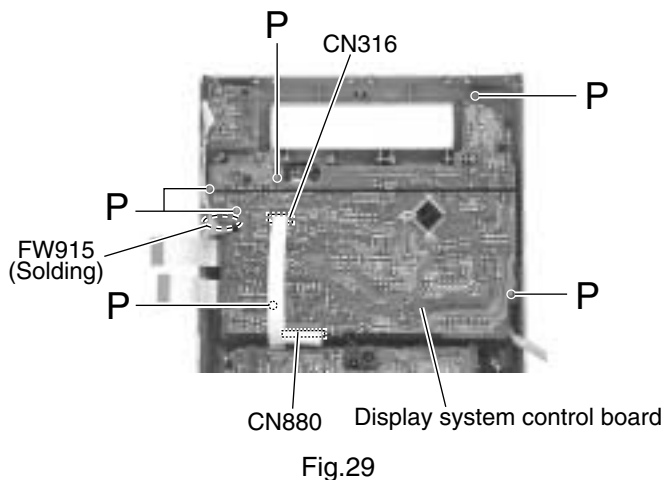


Fig.29

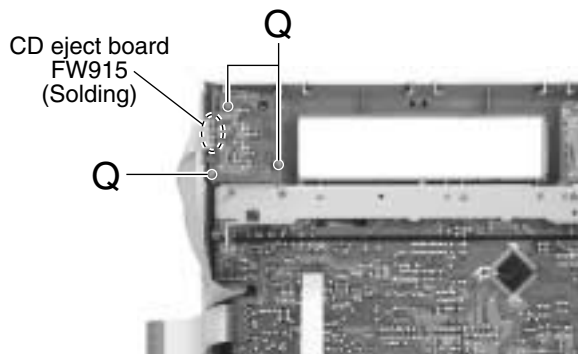


Fig.31

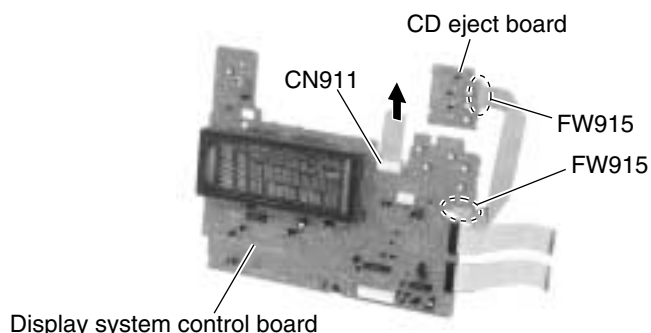


Fig.30

### ■ Removing the preset / tuning switch board (See Fig.32 and 33)

• Prior to performing the following procedure, remove the display system control board.

1. Pull out the preset knob on the front panel.
2. Remove the four screws **R** attaching the preset / tuning switch board.
3. If necessary, unsolder FW901 on the preset / tuning switch board.

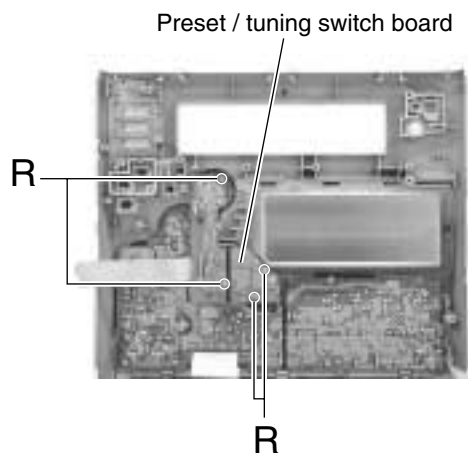


Fig.32

### ■ Removing the operation switch board (See Fig.33 and 34)

• Prior to performing the following procedure, remove the display system control board and the preset / tuning switch board.

1. Pull out the volume knob on the front panel and remove the nut. Pull out the surround mode knob, the mic level knob and the surround woofer level knob toward the front.
2. Remove the thirteen screws **S** attaching the operation switch board. (CA-MXG75V / MXG78V, CA-MXGT85V / MXGT88V)

Remove the twelve screws **S** attaching the operation switch board. (CA-MXGT95V / MXGT98V)

3. Release each tab of the seven joints **g** retaining the operation switch board.

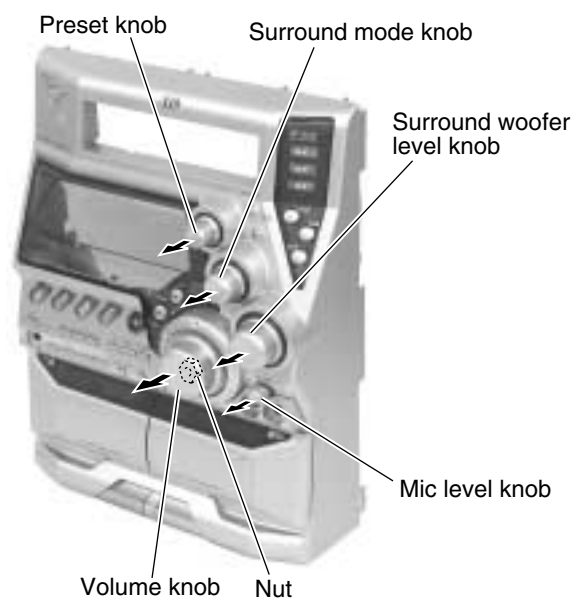


Fig.33

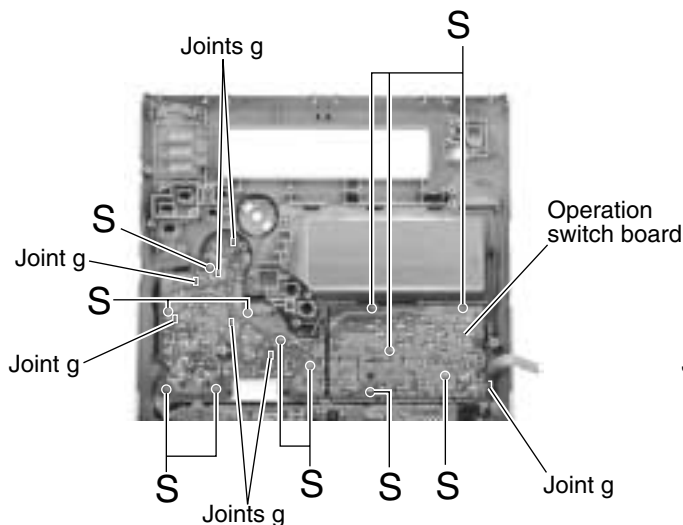


Fig.34

(CA-MXGT95V / MXGT98V)

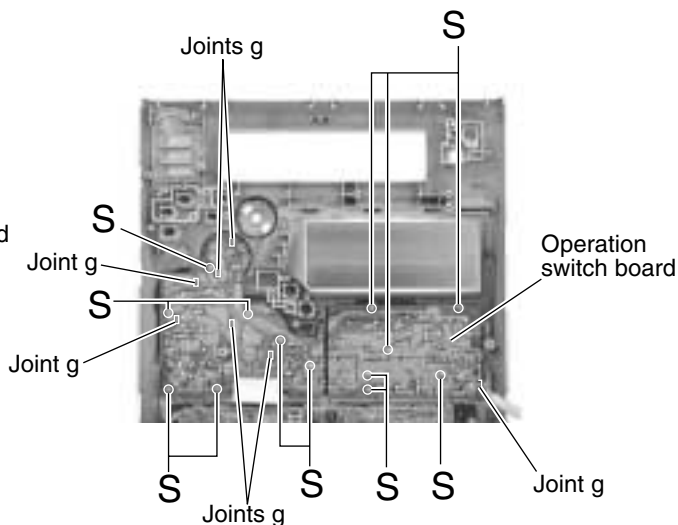


Fig.34

( CA-MXG75V / MXG78V )  
( CA-MXGT85V / MXGT88V )

**<Speaker section>**  
**[for MX-GT98V/MX-GT95V]**

**■ Removing the front panel**  
**(See Fig.1 and 2)**

1. Remove the four screws **A** attaching the front panel on the front of the body.
2. Pull out the front panel toward the front and disconnect the wire from the two speaker terminals of the speaker (tweeter) on the back of the front panel.

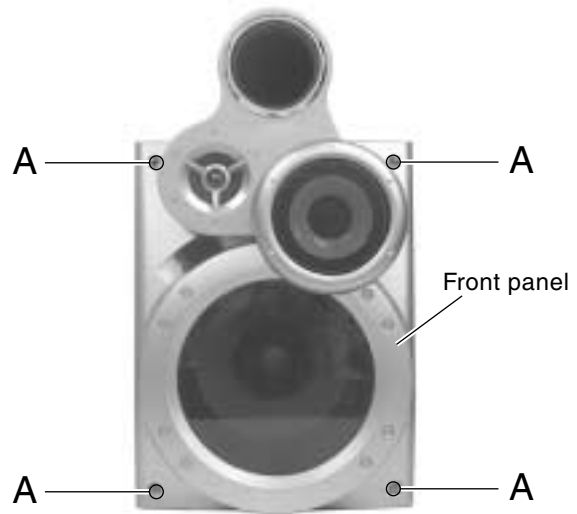


Fig.1

**■ Removing the speaker (tweeter)**  
**(See Fig.3)**

- Prior to performing the following procedures, remove the front panel.

1. Remove the two screws **B** attaching the speaker (tweeter) on the back of the front panel.

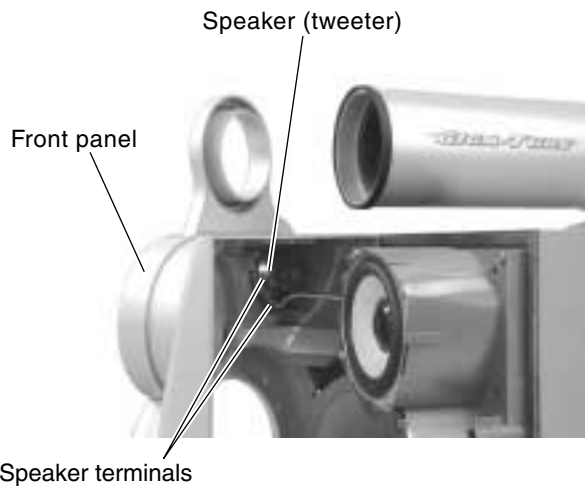


Fig.2

**■ Removing the sub panel (See Fig.4)**

- Prior to performing the following procedures, remove the front panel.

1. Remove the six screws **C** attaching the sub panel on the back of the front panel.
2. Pull out the sub panel toward the front.

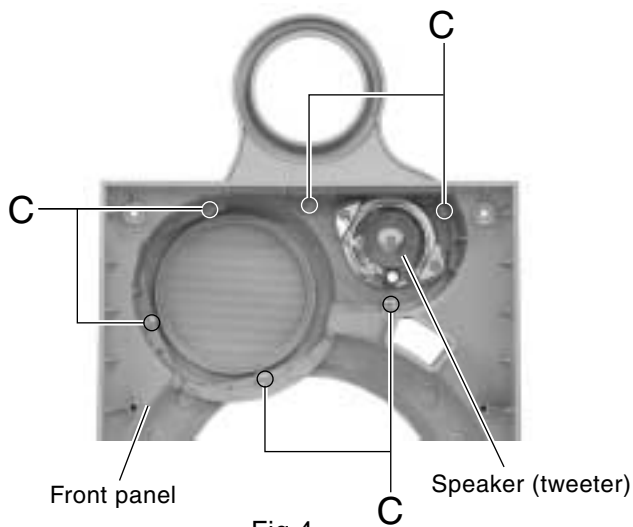


Fig.4

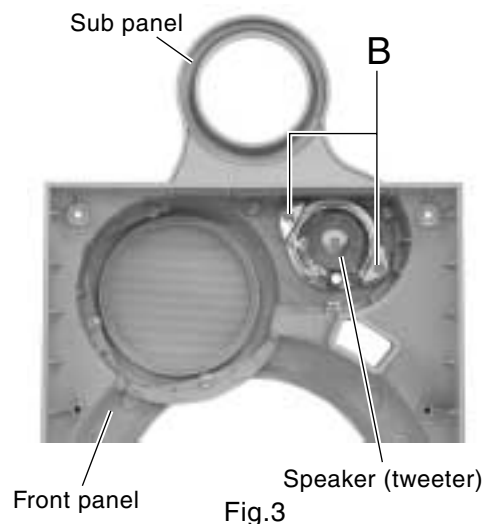


Fig.3

**■ Removing the speaker (squawker)  
(See Fig.5)**

- Prior to performing the following procedures, remove the front panel.
1. Remove the four screws **E** attaching the speaker (squawker) on the front of the body.
  2. Disconnect the wire from the two speaker terminals of the speaker (squawker).

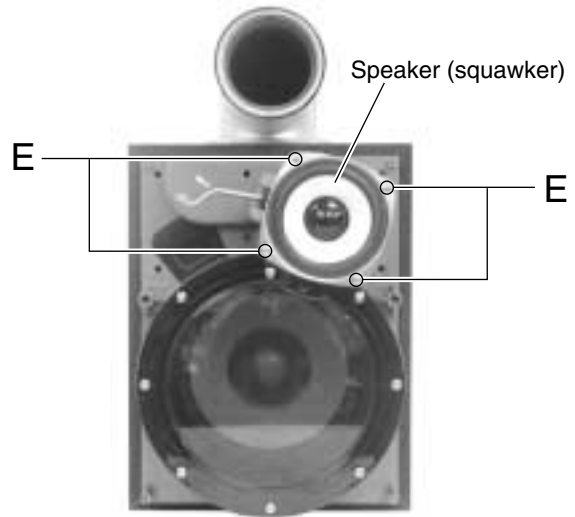


Fig.5

**■ Removing the speaker (woofer)  
(See Fig.6 and 7)**

- Prior to performing the following procedures, remove the front panel.
1. Remove the eight screws **D** attaching the punch panel on the front of the body.
  2. Remove the six screws **F** attaching the speaker (woofer) on the front of the body.
  3. Remove the speaker (woofer) toward the front and disconnect the wire from the two speaker terminals.

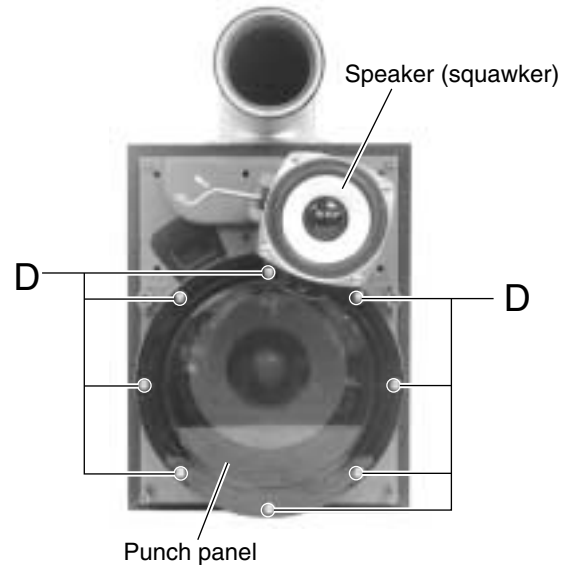


Fig.6

**■ Removing the duct (See Fig.8)**

1. Remove the four screws **G** attaching the duct on the upper side of the body.
2. Move the duct upwards and pull out backward.

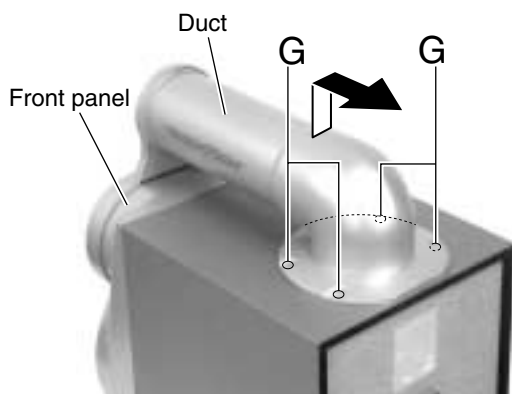


Fig.8

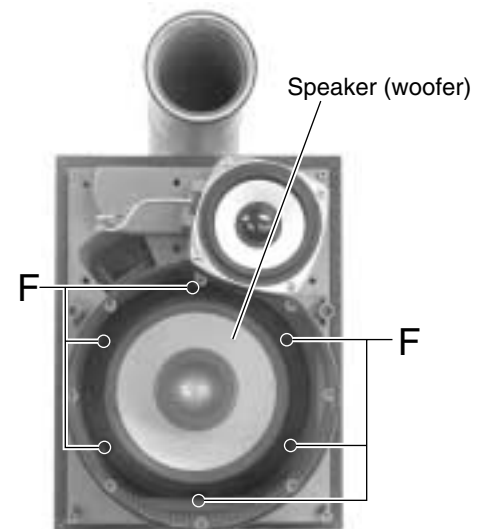


Fig.7

**[for MX-GT88V/MX-GT85V]**

**■ Removing the front panel (See Fig.1)**

1. Remove the four screws **A** attaching the front panel on the front of the body.
2. Pull out the front panel toward the front.

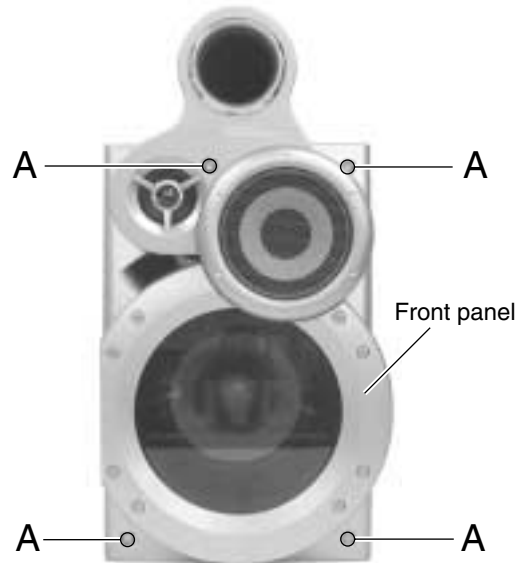


Fig.1

**■ Removing the speaker (tweeter) (See Fig.2)**

- Prior to performing the following procedures, remove the front panel.
1. Remove the two screws **B** attaching the speaker (tweeter) on the front of the body.
  2. Disconnect the wire from two speaker terminals of the speaker (tweeter).

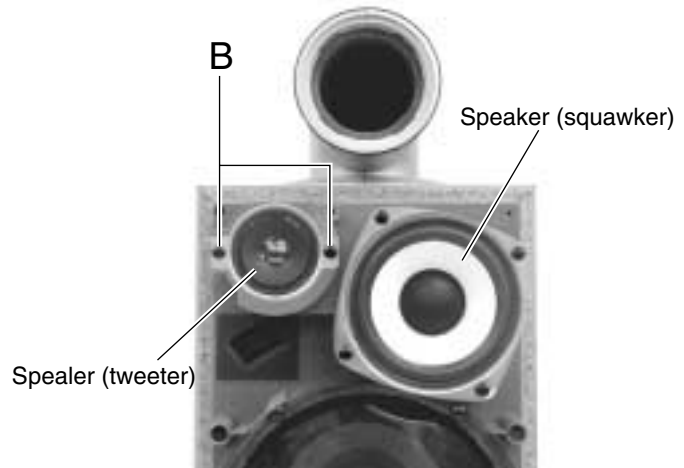


Fig.2

**■ Removing the speaker (squawker) (See Fig.3)**

- Prior to performing the following procedures, remove the front panel.
1. Remove the four screws **C** attaching the speaker (squawker) on the front of the body.
  2. Disconnect the wire from the two speaker terminals of the speaker (squawker).

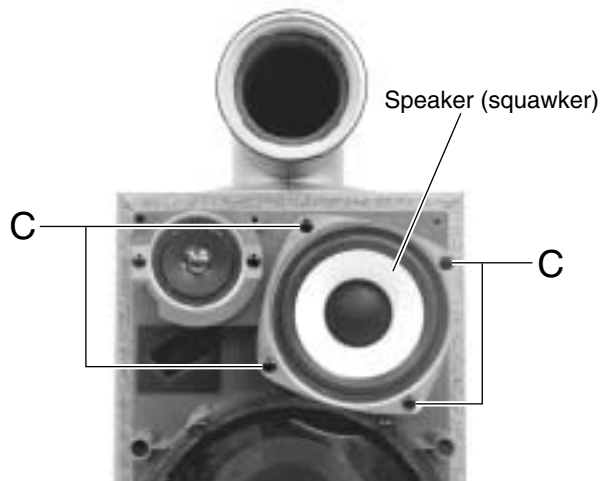


Fig.3



**■ Removing the speaker (woofer)  
(See Fig.4 and 5)**

- Prior to performing the following procedures, remove the front panel.
1. Remove the six screws **D** attaching the punch panel on the front of the body.
  2. Remove the four screws **E** attaching the speaker (woofer) on the front of the body.
  3. Pull out the speaker (woofer) toward the front and disconnect the wire from the two speaker terminals.

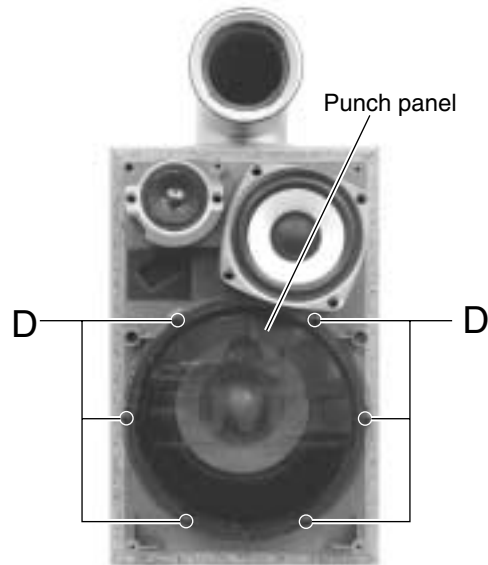


Fig.4

**■ Removing the sub panel (See Fig.6 )**

- Prior to performing the following procedures, remove the front panel.
1. Remove the six screws **F** attaching the sub panel on the back of the front panel.
  2. Remove the sub panel toward the front.

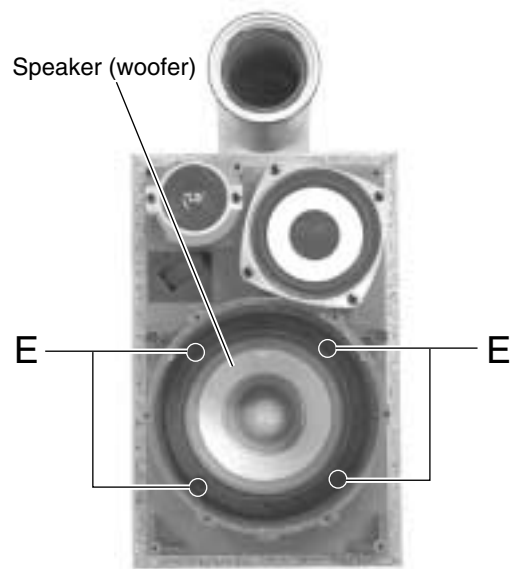


Fig.5

**■ Removing the duct (See Fig.7)**

1. Remove the four screws **G** attaching the duct on the upper side of the body.
2. Move the duct upwards and pull out backward.

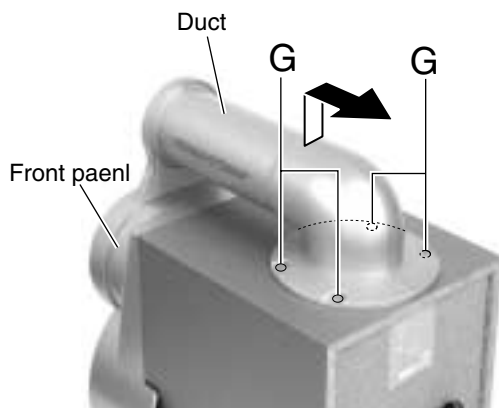


Fig.7

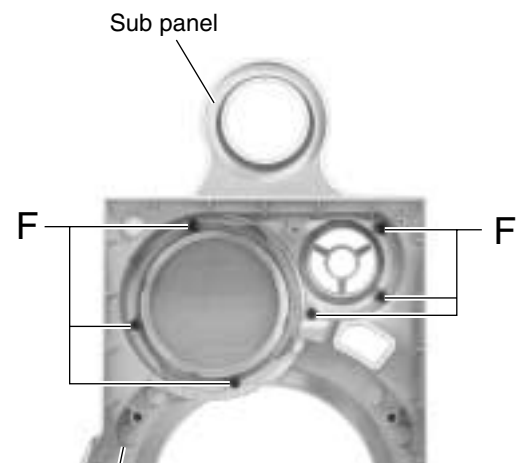


Fig.6

**[for MX-G78V/MX-G75V]**

■ **Removing the side cover (See Fig.1)**

1. Remove the six screws **A** on the side of the body.

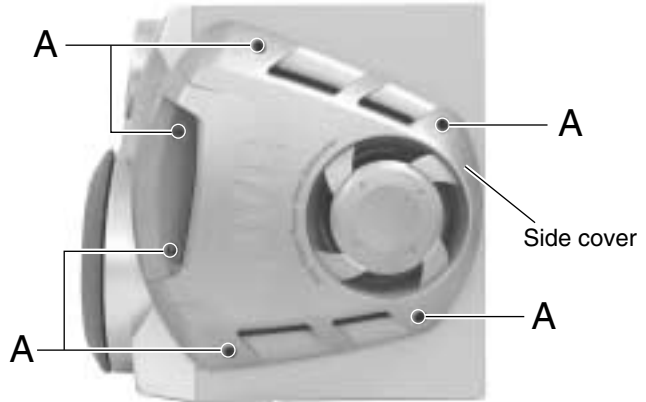


Fig.1

■ **Removing the squawker speaker (See Fig.2)**

- Prior to performing the following procedure, remove the side cover.
1. Remove the four screws **B** on the side of the body.
  2. Disconnect the red and black wires from the speaker terminals on the squawker speaker.

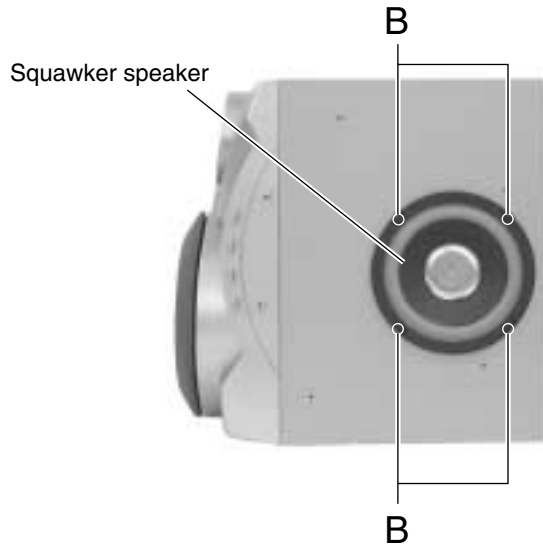


Fig.2

■ **Removing the front cover (See Fig.3 to 5)**

- Prior to performing the following procedure, remove the side cover.
1. Pull out the saran net toward the front while disengaging the four joints **a**.
  2. Remove the two screws **C** and **D** respectively.
  3. Remove the front cover toward the front and disconnect the yellow and black wires from the two tweeter speaker terminals.

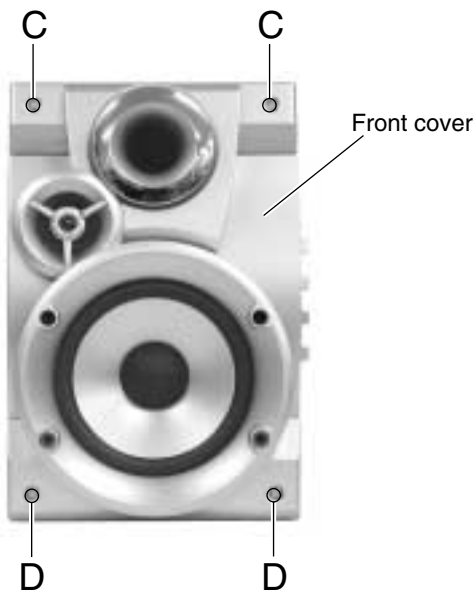


Fig.4

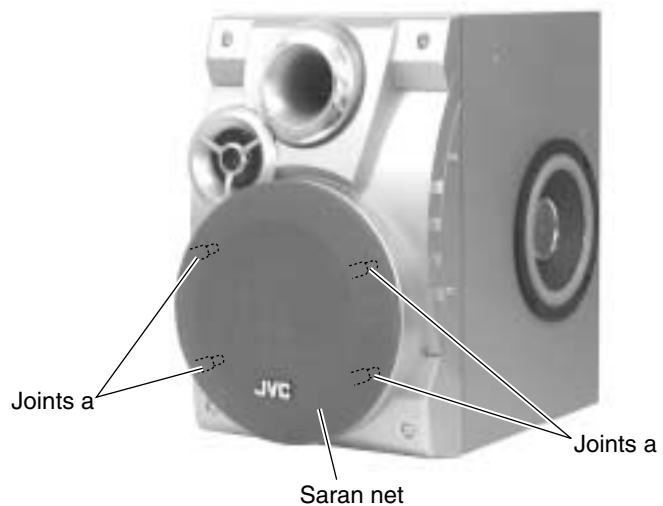


Fig.3

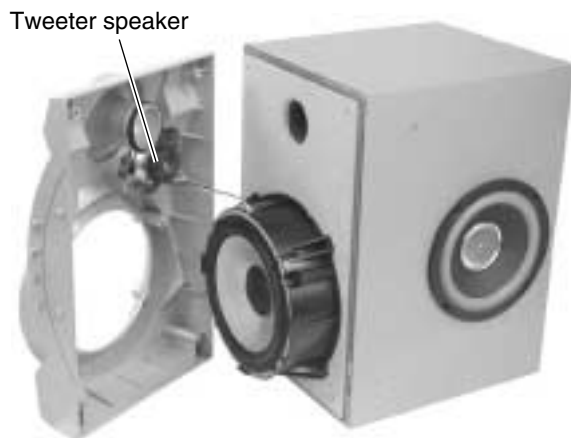
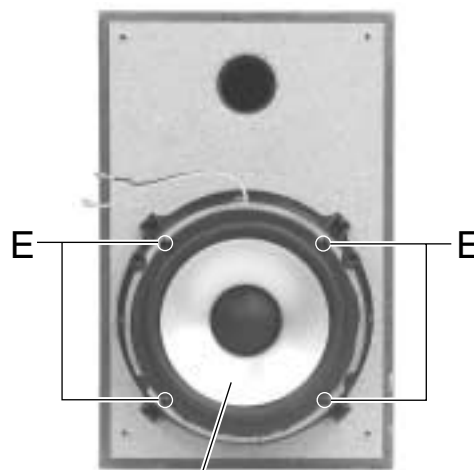


Fig.5

### ■ Removing the woofer speaker (See Fig.6)

• Prior to performing the following procedure, remove the side cover and the front cover.

1. Remove the four screws **E** on the front of the body.
2. Pull out the woofer speaker toward the front and disconnect the wire (yellow and black, blue and black) from the two speaker terminals.



Woofer speaker

Fig.6

### ■ Removing the tweeter speaker (See Fig.7)

• Prior to performing the following procedure, remove the side cover and the front cover.

1. Remove the two screws **F** attaching the tweeter speaker on the back of the front cover.

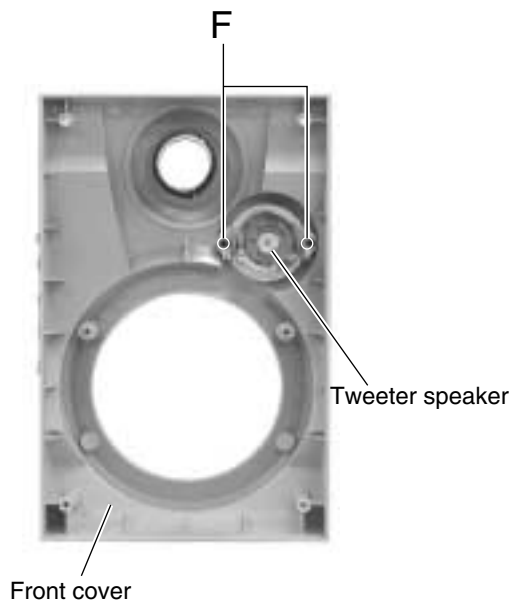
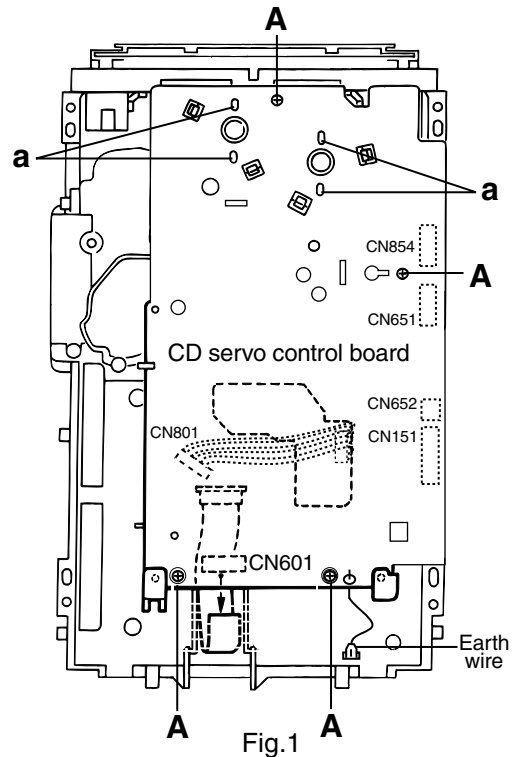


Fig.7

«CD Changer Mechanism Type:VC3 Section»

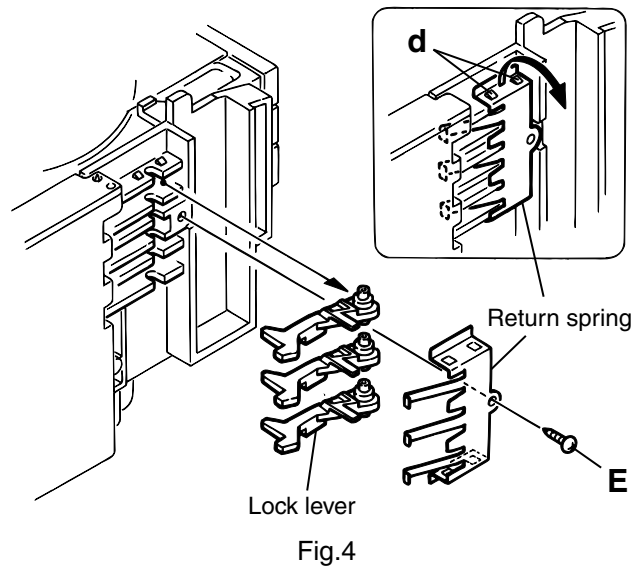
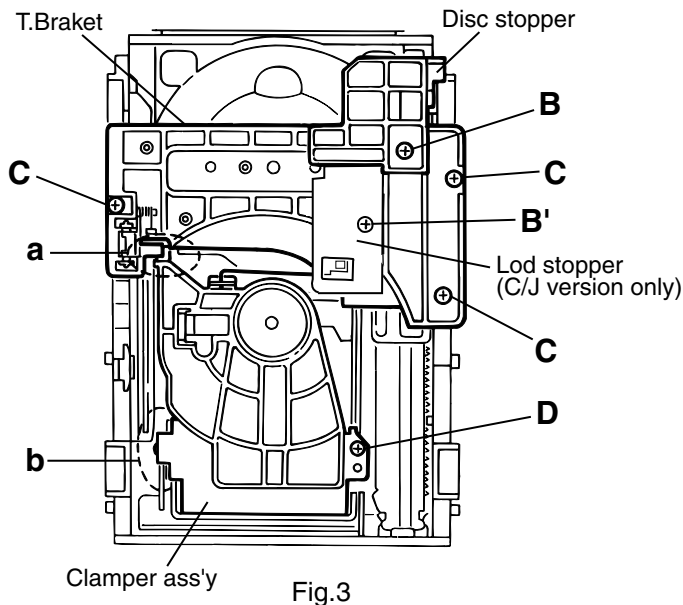
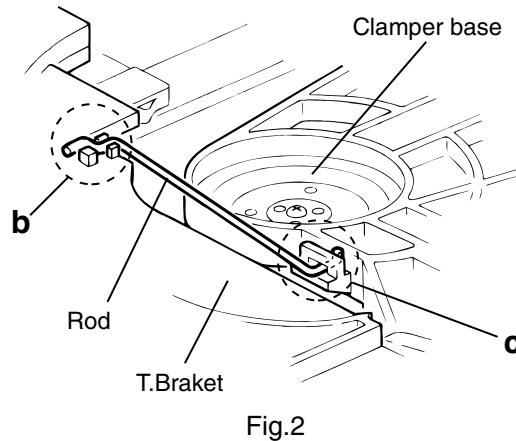
### ■ Removing the CD Servo control board (See Fig.1)

- 1.Remove the metal cover.
- 2.Remove the CD changer mechanism assembly.
- 3.From bottom side the CD changer mechanism assembly, remove the four screws **A** retaining the CD servo control board.
- 4.Absorb the four soldered positions "a" of the right and left motors with a soldering absorber.
- 5.Pull out the earth wire on the CD changer mechanism assembly.
- 6.Disconnect the connector CN854 on the CD servo control board.
- 7.Disconnect the card wire CN601 and the connector CN801 on the CD servo control board.



### ■ Removing the CD tray assembly (See Fig.2~4)

1. Remove the front panel assembly. (See Fig.2~4)
2. Remove the CD changer mechanism assembly.
3. Remove the CD Servo control board.
4. Remove the screw **B'** retaining the lod stopper.
5. From the T.bracket section "b" and clamber base section "c", remove both of the edges fixing the rod(See Fig.2 and 3).
6. Remove the screw **B** retaining the disc stopper (See Fig.3).
7. Remove the three screws **C** retaining the T.bracket (See Fig.3).
8. Remove the screw **D** retaining the clamber assembly (See Fig.3).
9. From the left side face of the chassis assembly, remove the one screw **E** retaining both of the return spring and lock lever(See Fig. 4).
10. By removing the pawl at the section "d" fixing the return spring, dismount the return spring(See Fig.4).
11. Remove the three lock levers(See Fig.4).



11. Check whether the lifter unit stopper has been caught into the hole at the section "e" of CD tray assembly as shown in Fig.5.
12. Make sure that the driver unit elevator is positioned as shown in Fig.6 from the second or fifth hole on the left side face of the CD changer mechanism assembly.

**[Caution]** In case the driver unit elevator is not at above position, set the elevator to the position as shown in Fig.7 by manually turning the pulley gear as shown in Fig.8.

13. Manually turn the motor pulley in the clockwise direction until the lifter unit stopper is lowered from the section "e" of CD tray assembly(See Fig.8).
14. Pull out all of the three stages of CD tray assembly in the arrow direction "f" until these stages stop (See Fig.6).
15. At the position where the CD tray assembly has stopped, pull out the CD tray assembly while pressing the two pawls "g and g'" on the back side of CD tray assembly(See Fig.9). In this case, it is easy to pull out the assembly when it is pulled out first from the stage CD tray assembly.

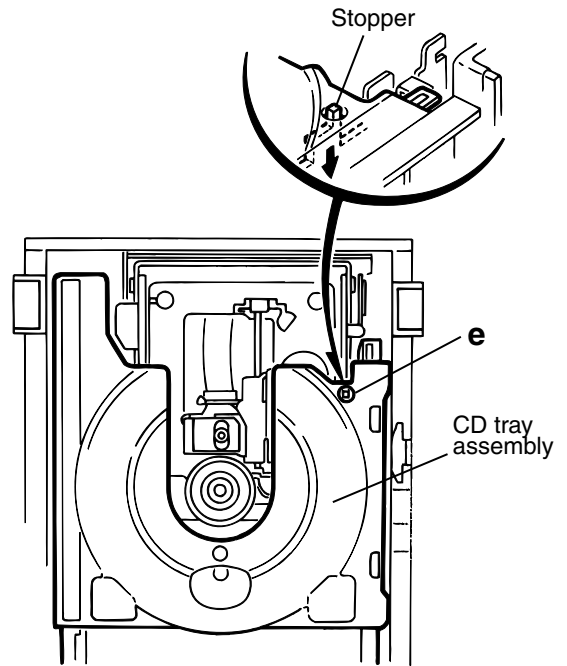


Fig.5

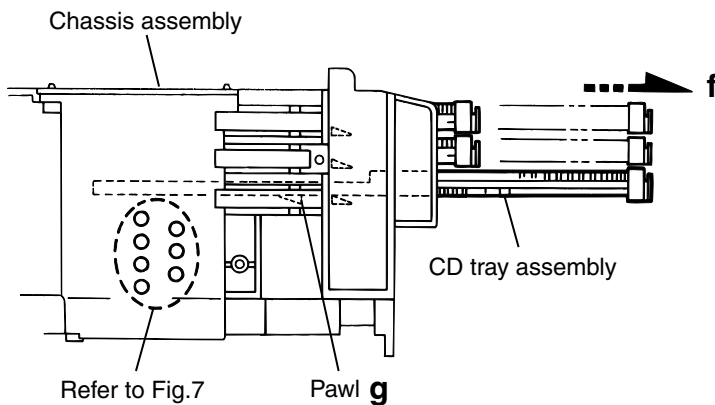


Fig.6

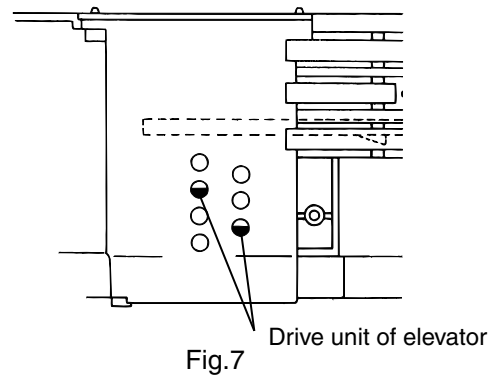


Fig.7

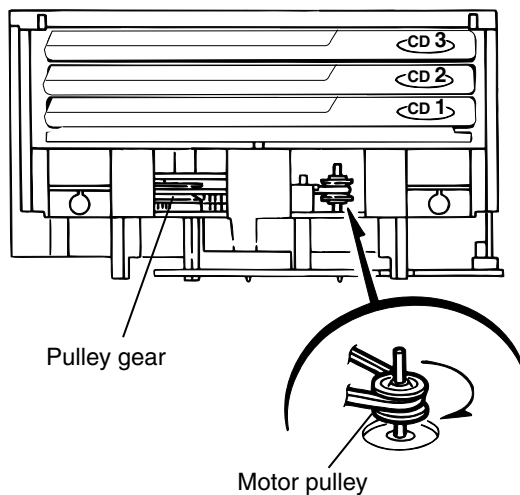
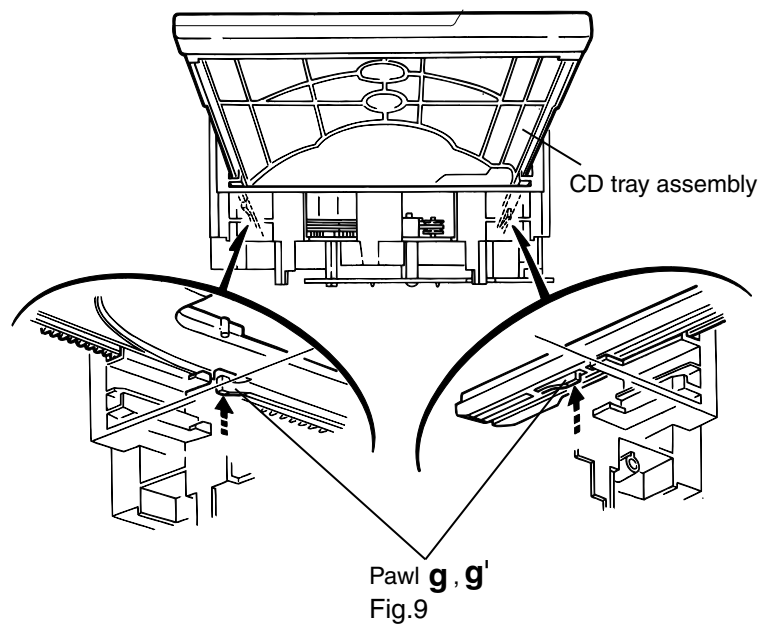


Fig.8



Pawl g, g'  
Fig.9

### ■ Removing the CD loading mechanism assembly(See Fig.10)

1. While turning the cams R1 and R2 assembly in the arrow direction "h", align the shaft "i" of the CD loading mechanism assembly to the position shown in Fig.10.
2. Remove the four screws **F** retaining the CD loading mechanism assembly.

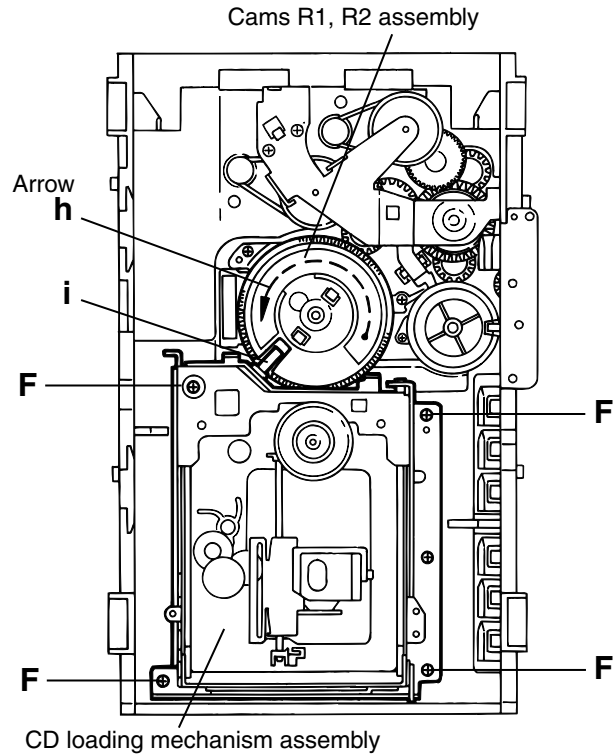


Fig.10

### ■ Removing the CD traverse mechanism (See Fig.11 and 12 )

1. For dismounting only the CD traverse mechanism without removing the CD loading mechanism assembly, align the shaft "j" of the CD loading mechanism assembly to the position shown Fig.11 while turning the cam R1 and R2 assembly in the arrow direction "k".
2. By raising the CD loading mechanism assembly in the arrow direction "l", remove the assembly from the lifter unit

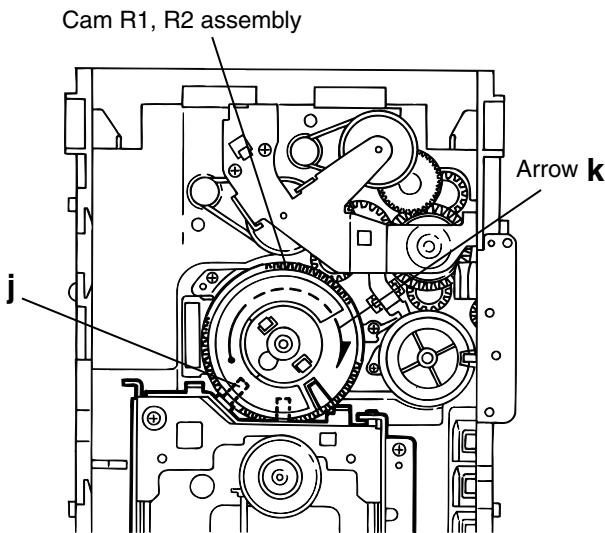


Fig.11

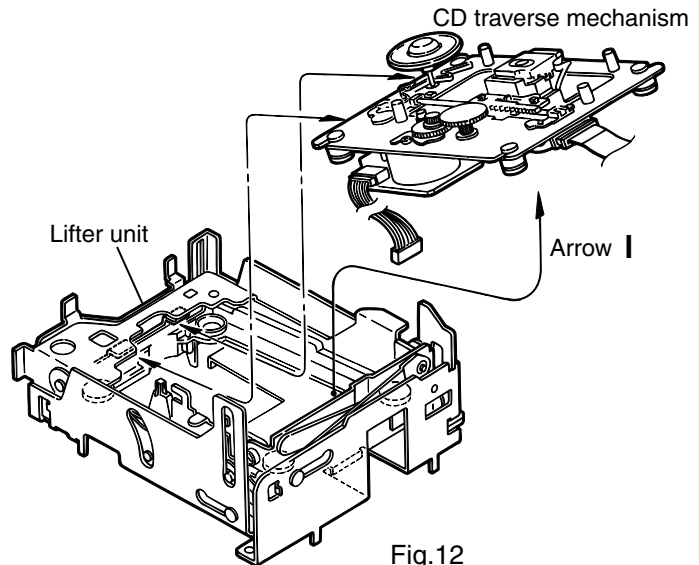


Fig.12

### ■ Removing the CD pick unit (See Fig.13 )

1. Move the cam gear in the arrow direction "m". Then, the CD pickup unit will be moved in the arrow direction "n".
2. According to the above step, shift the CD pickup unit to the center position.
3. While pressing the stopper retaining the shaft in the arrow direction "o", pull out the shaft in the arrow direction "p".
4. After dismounting the shaft from the CD pickup unit, remove the CD pickup unit

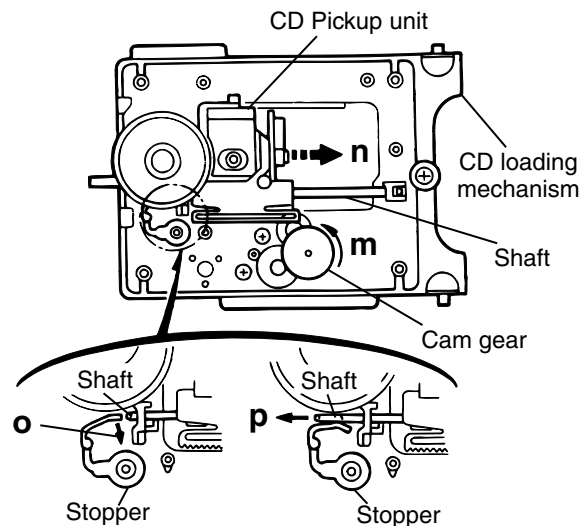


Fig.13

## ■ Removing the tray select switch board (See Fig.14)

1. Remove the two screws **G** retaining the tray select switch board.
2. Disconnect the tray select switch board from connector CN804 on the CD servo control board.

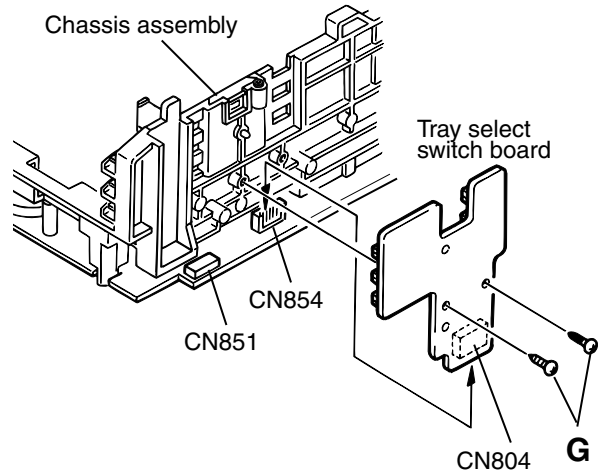


Fig.14

## ■ Removing the cam unit (See Fig.15 ~17)

1. Remove the CD loading mechanism assembly.
2. While turning the cam gear "q", align the Paul "r" position of the drive unit to the notch position(Fig.16) on the cam gear "q".
3. Pull out the drive unit and cylinder gear(See Fig.17).
4. While turning the cam gear "q", align the Paul "s" position of the select lever to the notch position(Fig.18) on the cam gear "q".
5. Remove the four screws **H** retaining the cam unit(cam gear "q" and cams R1/R2 assembly)(See Fig.18).

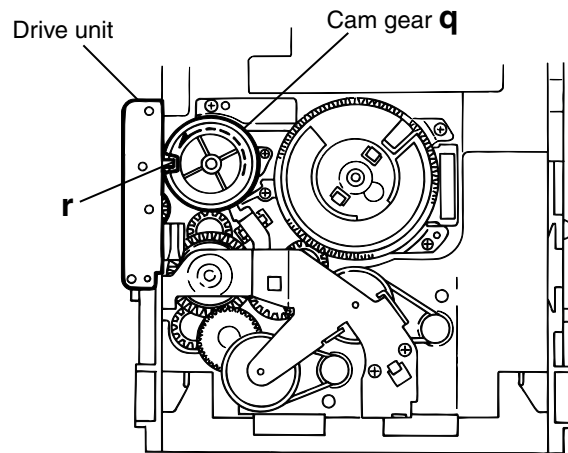


Fig.15

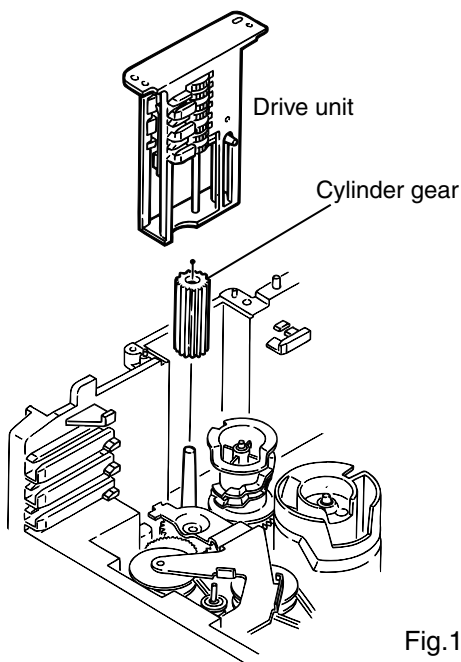


Fig.16

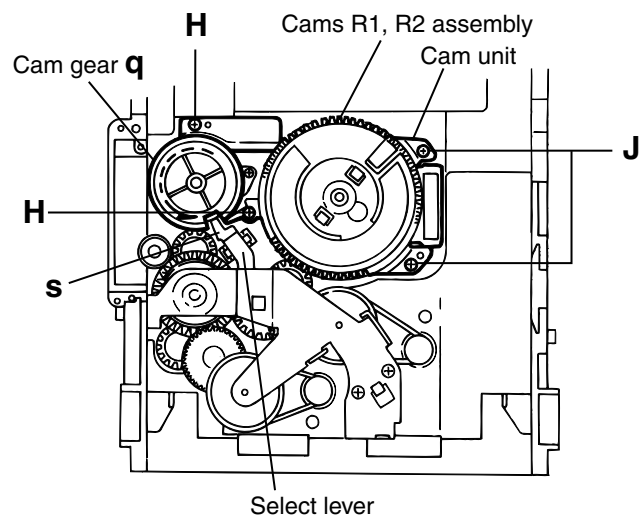


Fig.17

■ **Removing the actuator motor and belt**  
 (See Fig.18~21)

1. Remove the two screws **I** retaining the gear bracket  
 (See Fig.18).
2. While pressing the pawl **"t"** fixing the gear bracket in the arrow direction, remove the gear bracket  
 (See Fig.18).
3. From the notch **"u** section" on the chassis assembly fixing the edge of gear bracket, remove and take out the gear bracket(See Fig. 19).
4. Remove the belts respectively from the right and left actuator motor pulleys and pulley gears(See Fig. 18).
5. After turning over the chassis assembly, remove the actuator motor while spreading the four pawls **"v"** fixing the right and left actuator motors in the arrow direction(See Fig. 20).

**[Note]** When the chassis assembly is turned over under the conditions wherein the gear bracket and belt have been removed, then the pulley gear as well as the gear, etc. constituting the gear unit can possibly be separated to pieces. In such a case, assemble these parts by referring to the assembly and configuration diagram in Fig. 21.

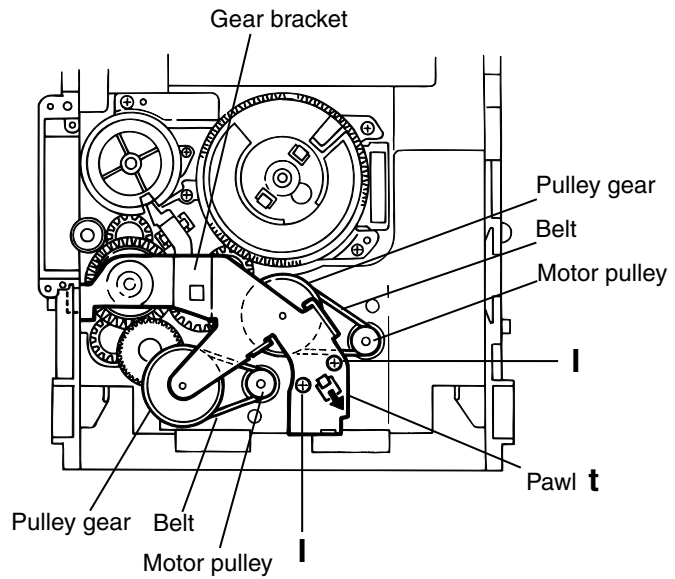


Fig.18

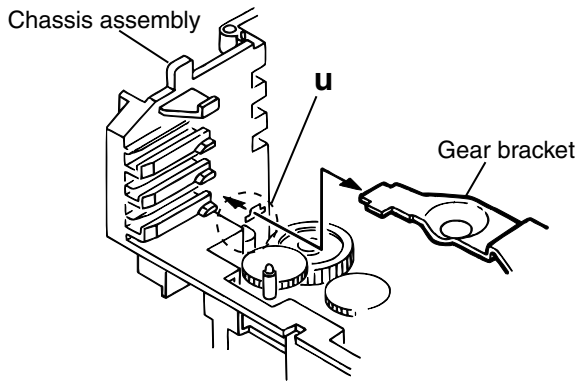


Fig.19

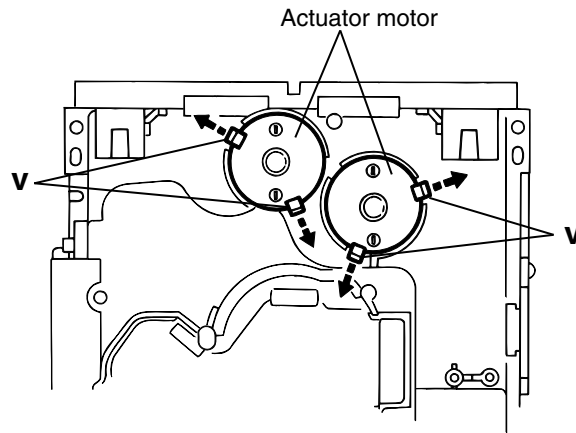


Fig.20

**Assembly and Configuration Diagram**

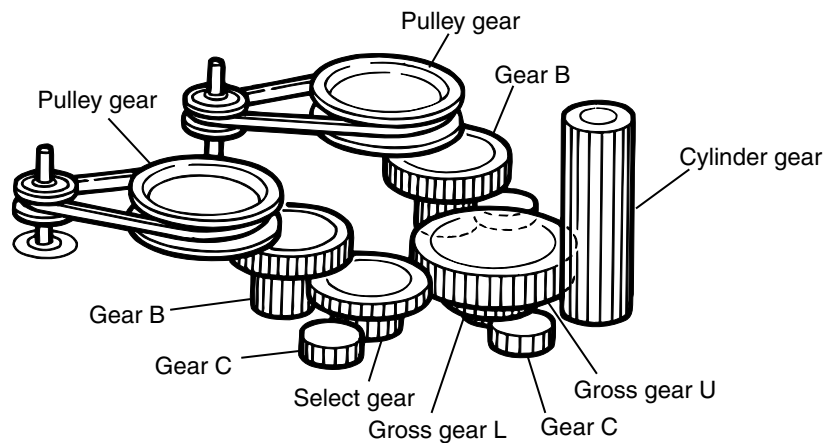


Fig.21



### ■ Removing the cams R1/R2 assembly and cam gear q(See Fig.22)

1. Remove the slit washer fixing the cams R1 and R2 assembly.
2. By removing the two pawls "w" fixing the cam R1, separate R2 from R1.
3. Remove the slit washer fixing the cam gear "q".
4. Pull out the cam gear "q" from the C.G. base assembly.

### ■ Removing the C.G. base assembly (See Fig.22 and 23)

Remove the three screws **J** retaining the C.G. base assembly.

**[Caution]** To reassemble the cylinder gear, etc.with the cam unit (cam gear and cans R1/R2 assembly), gear unit and drive unit, align the position of the pawl "x" on the drive unit to that of the notch on the cam gear "q". Then, make sure that the gear unit is engaged by turning the cam gear "q" (See Fig. 24).

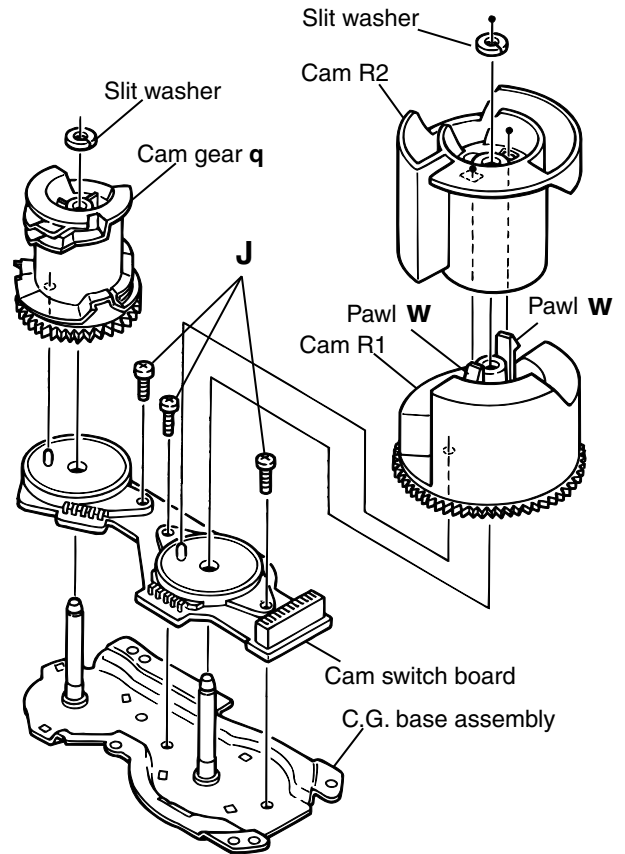


Fig.22

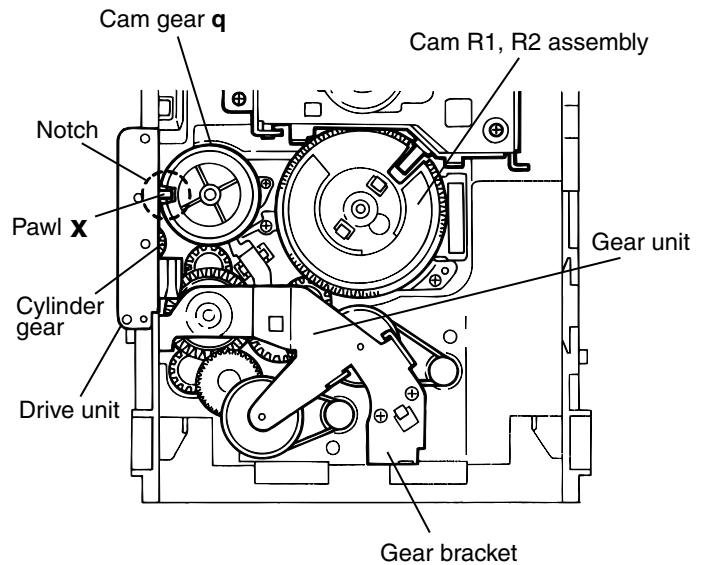


Fig.23

< **Cassette mechanism section** >

■ **Removing the playback, recording and eraser heads (See Fig.1~3)**

1. While shifting the trigger arms seen on the right side of the head mount in the arrow direction, turn the flywheel R in counterclockwise direction until the head mount has gone out with a click (See Fig. 1).
2. When the flywheel R is rotated in counterclockwise direction, the playback / recording & eraser head will be turned in counterclockwise direction from the position in Fig.2 to that in Fig.3.
3. At this position, disconnect the flexible P.C.board (outgoing from the playback head) from the connector CN301 on the head amp. and mechanism control P.C. board.
4. Remove the flexible P.C.board from the chassis base.
5. Remove the spring "a" from behind the playback / recording head.
6. Loosen the reversing azimuth screw retaining the playback head.
7. Take out the playback head from the front of the head mount.
8. The recording and eraser heads should also be removed similarly according to Steps 1~7 above.

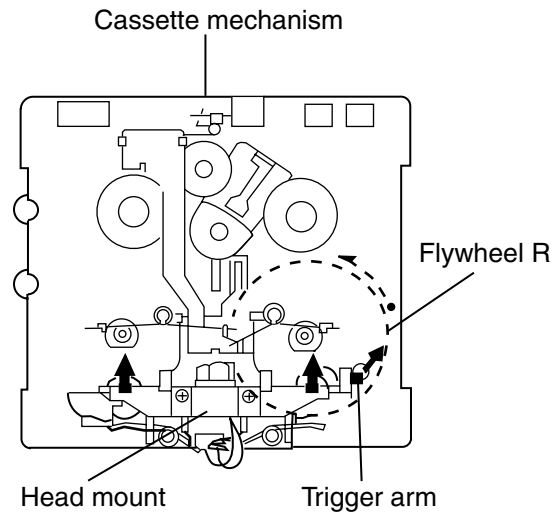


Fig.1 (Mechanism A side)

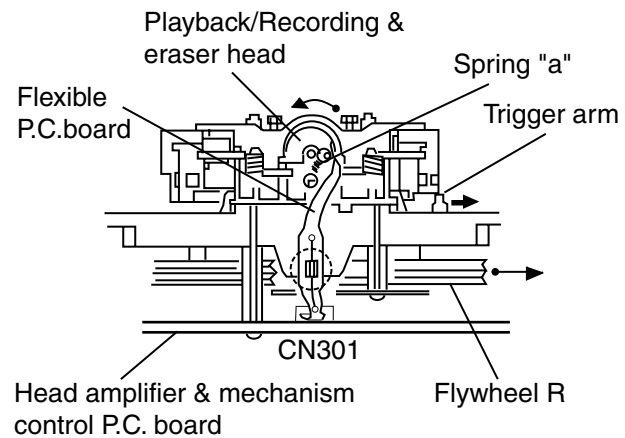


Fig.2 (Mechanism A side)

● **Reassembling the playback, recording and eraser heads (See Fig.3)**

1. Reassemble the playback head from the front of the head mount to the position as shown in Fig.3.
2. Fix the reversing azimuth screw.
3. Set the spring a from behind the playback head.
4. Attach the flexible P.C.board to the chassis base as shown in Fig.3.
5. The recording and eraser heads should also be reassembled similarly according to Steps 1~4 above.

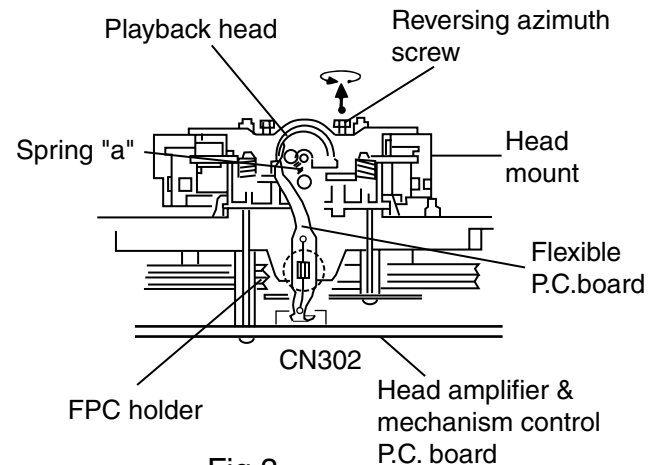


Fig.3 (Mechanism B side)

■ **Removing the head amp. and mechanism control board (See Fig. 4)**

- 1.Remove the cassette mechanism assembly.
- 2.After turning over the cassette mechanism assembly,remove the five screws "A" retaining the head amplifier & mechanism control board.
- 3.Disconnect the connectors CN303 on the board and the connectors CN301 and on CN302 both the right and left side reel pulse boards.
- 4.When necessary, remove the 4pin parallel wire soldered to the main motor

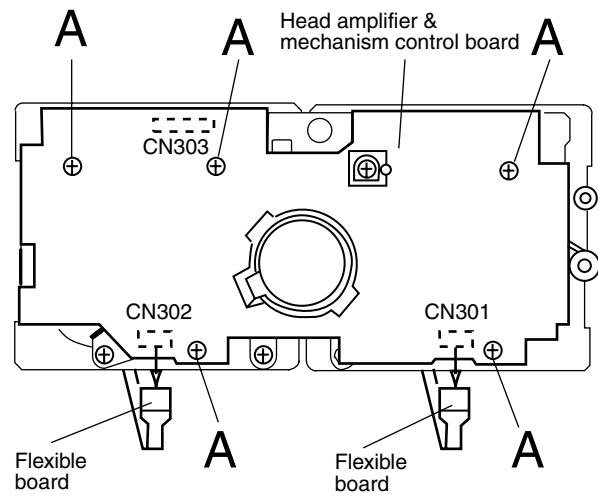


Fig.4

■ **Removing the capstan motor assembly (See Fig.5 to 7)**

- 1.Remove the six screws "B" retaining capstan motor assembly (See Fig. 5).
- 2.While raising the capstan motor, remove the capstan belts A and B respectively from the motor pulley (See Fig. 6).

Caution 1: Be sure to handle the capstan belts so carefully that these belts will not be stained by grease and other foreign matter. Moreover, these belts should be hand while referring to the capstan belt hanging method.(See Fig.6 and 7)

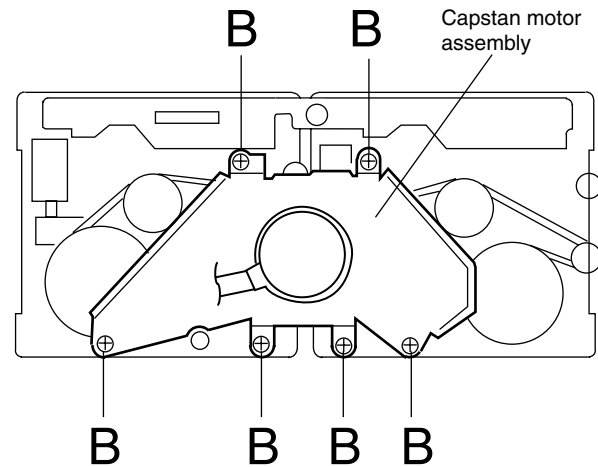


Fig.5

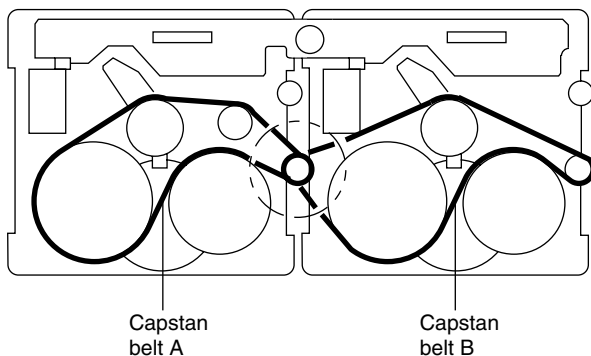


Fig.7

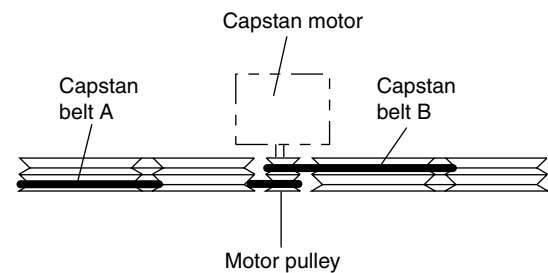


Fig.6

■ **Removing the capstan motor (See Fig. 8)**

From the joint bracket, remove the two screws "C" retaining the capstan motor.

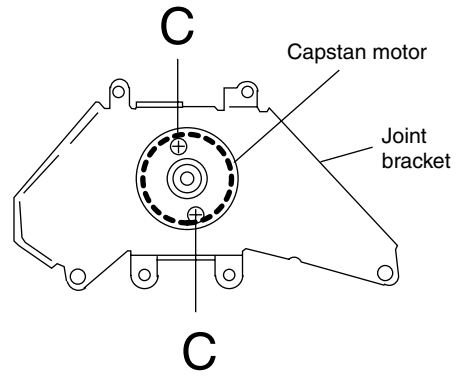


Fig.8

■ **Removing the flywheel (See Fig. 9,10)**

- 1.Remove the head amp. and mechanism control P.C.Board.
- 2.Remove the capstan motor assembly.
- 3.After turning over the cassette mechanism, remove the two slit washers "b" fixing the capstan shafts R and L, and pull out the flywheels R and L respectively from behind the cassette mechanism.

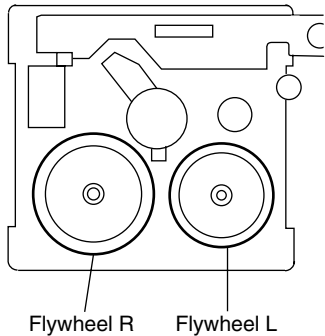


Fig.10

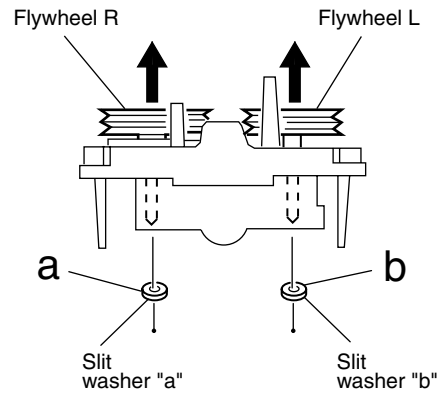


Fig.9

■ **Removing the reel pulse board and solenoid (See Fig. 11)**

- 1.Remove the five pawls (c,d,e,f,g) retaining the reel pulse P.C.Board.
- 2.From the surface of the reel pulse P.C.Board parts, remove the two pawls "h" and "i" retaining the solenoid.

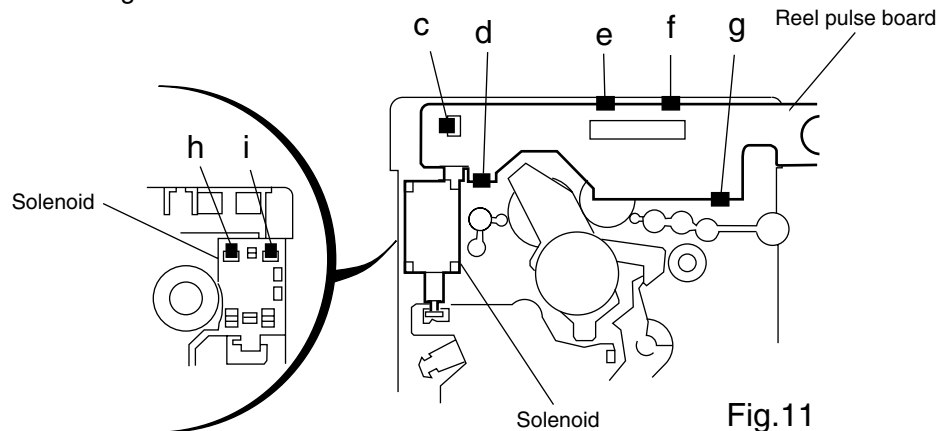


Fig.11

# Adjustment method

## Measurement instruments required for adjustment

1. Low frequency oscillator,  
This oscillator should have a capacity to output 0dBs to 600ohm at an oscillation frequency of 50Hz-20kHz.
2. Attenuator impedance : 600ohm
3. Electronic voltmeter
4. Frequency counter
5. Wow flutter meter
6. Test tape  
VT703L : Head azimuth  
VT712 : For Tape speed and wow flutter ( 3kHz)  
VT724 : For Reference level (1kHz)  
VT703L : For Head angle(10kHz)
7. Blank tape  
TAPE I : AC-225,
8. Torque gauge : For play and back tension  
Forward ; TW2111A, Reverse ; TW2121A  
Fast Forward and Rewind ; TW2231A
9. Test disc  
: CTS-1000(12cm),GRG-1211(8cm)
10. Jitter meter

## Measurement conditions

Power supply voltage  
AC110/127/230-240V(50/60Hz): US,UN model

### Measurement

output terminal : Speaker out  
: TP101(Mesuring for TUNER/DECK/CD)  
: Dummy load 6ohm

## Radio input signal

AM modulation frequency : 400Hz  
Modulation factor : 30%  
FM modulation frequency : 400Hz  
Frequency displacement : 22.5kHz

## Frequency Range

AM 531kHz~1710kHz : US,UN model  
FM 87.5MHz~108MHz

## Standard measurement positions of volume and switch

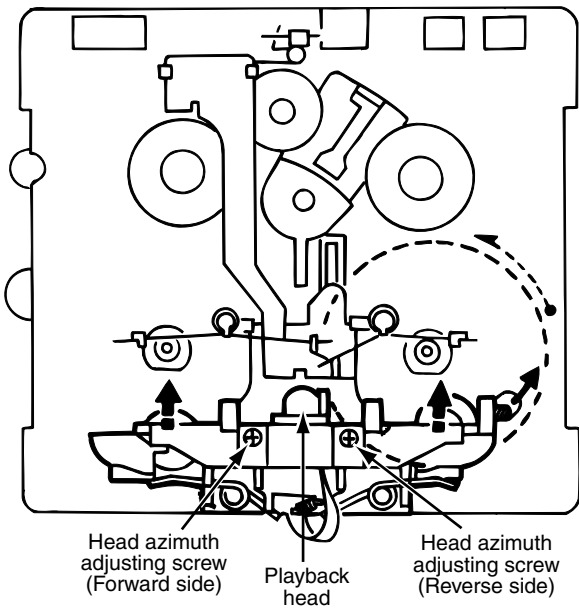
Power : Standby (Light STANDBY Indicator)  
Sub woofer VOL. : Minimum  
Sound mode : OFF  
Main VOL. : 0 Minimum  
Traverse mecha set position : Disc 1  
Mic MIX VOL : MAX (Only US,UN ver.)  
ECHO : OFF

## Precautions for measurement

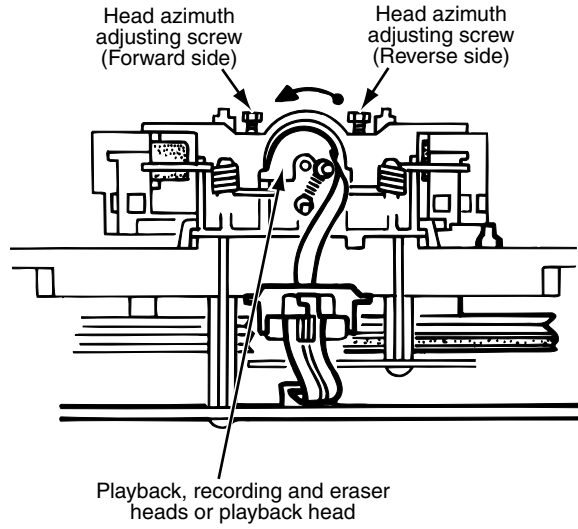
1. Apply 30pF and 33kohm to the IF sweeper output side and 0.082  $\mu$ F and 100kohm in series to the sweeper input side.
2. The IF sweeper output level should be made as low as possible within the adjustable range.
3. Since the IF sweeper is a fixed device, there is no need to adjust this sweeper.
4. Since a ceramic oscillator is used, there is no need to perform any MPX adjustment.
5. Since a fixed coil is used, there is no need to adjust the FM tracking.
6. The input and output earth systems are separated. In case of simultaneously measuring the voltage in both of the input and output systems with an electronic voltmeter for two channels, therefore, the earth should be connected particularly.
7. In the case of BTL connection amplifier, the minus terminal of speaker is not for earthing. Therefore, be sure not to connect any other earth terminal to this terminal. This system is of an OTL system.

■ Arrangement of adjusting positions

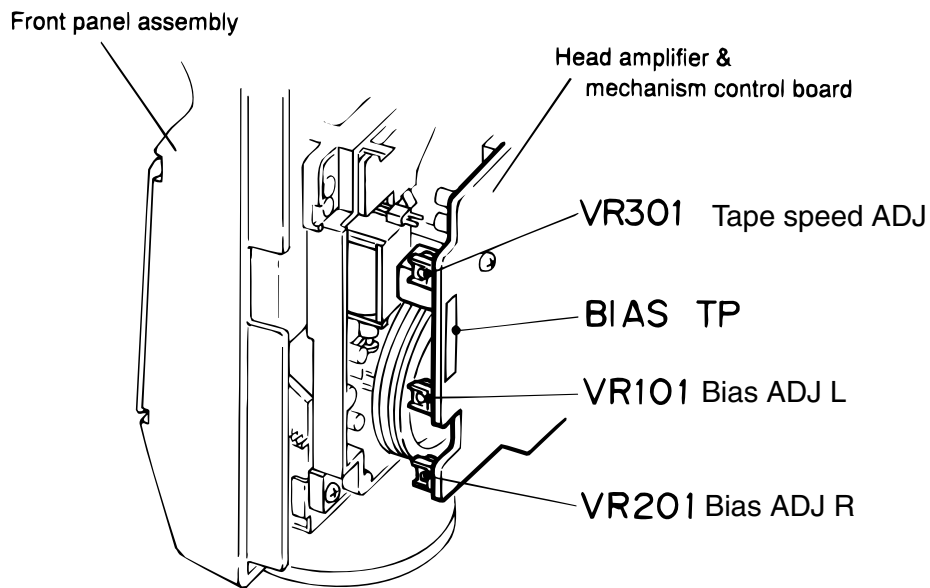
Cassette mechanism section (Mechanism A section)



Cassette mechanism section (Back side)



Cassette Mechanism Unit Section



■ **Tape recorder section**

Items	Measurement conditions	Measurement method	Standard values	Adjusting positions
Confirmation of head angle	Test tape :VT7036L Measurement output terminal :Speaker terminal Speaker R (Load resistor:6Ω) :Headphone terminal	1.Playback the test tape VT703L. 2.With the playback mechanism or recording & playback mechanism, adjust the head azimuth screw so that the forward and reverse output levels become maximum.After adjustment,lock the head azimuth at least by half a turn. 3.In either case,this adjustment should be performed in both the forward and reverse directions with the head azimuth screw.	Maximum output	Adjust the head azimuth screw only when the head has been changed.
Confirmation of tape speed	Test tape :VT712(3kHz) Measurement output terminal :Headphone terminal	<Constant speed> Adjust VR301 so that the frequency counter reading becomes 3,000Hz±60Hz when playing back the test tape VT712(3kHz)with the playback mechanism or playback and recording mechanism after ending forward winding of the tape.	Tape speed of decks (A and B) :3,000Hz ±60Hz	VR301

■ **Reference values for confirmation items**

Items	Measurement conditions	Measurement method	Standard values	Adjusting positions
Double tape speed	Test tape :VT712(3kHz) Measurement output terminal :Speaker terminal Speaker R (Load resistance:6Ω) measurement output terminal :Headphone terminal	After setting to the double speed motor, confirm that the frequency counter reading becomes 4,800+400/-300Hz when the test tape VT712 (3kHz) has been play back with the playback mechanism.	4,800+400/-300Hz	Playback mechanism side
Difference between the forward and reverse speed. P.mecha and R/P mecha speed		When the test tape VT712(3kHz) has been played back with the playback mechanism or recording and playback mechanism at the beginning of forward winding, the frequency counter reading of the difference between both of the mechanisms should be 6.0Hz or less.	60Hz or less	Both the playback and recording & playback mechanism
Wow & flutter	Test tape :VT712(3kHz) Measurement output terminal :Headphone terminal	When the test tape VT712(3kHz) has been played back with the playback mechanism or recording and playback mechanism at the beginning of forward winding the frequency counter reading of wow & flutter should be 0.25% or less(WRMS).	with in 0.25% JIS(WTD)	Both the playback and recording & playback mechanism

■ **Electrical performance**

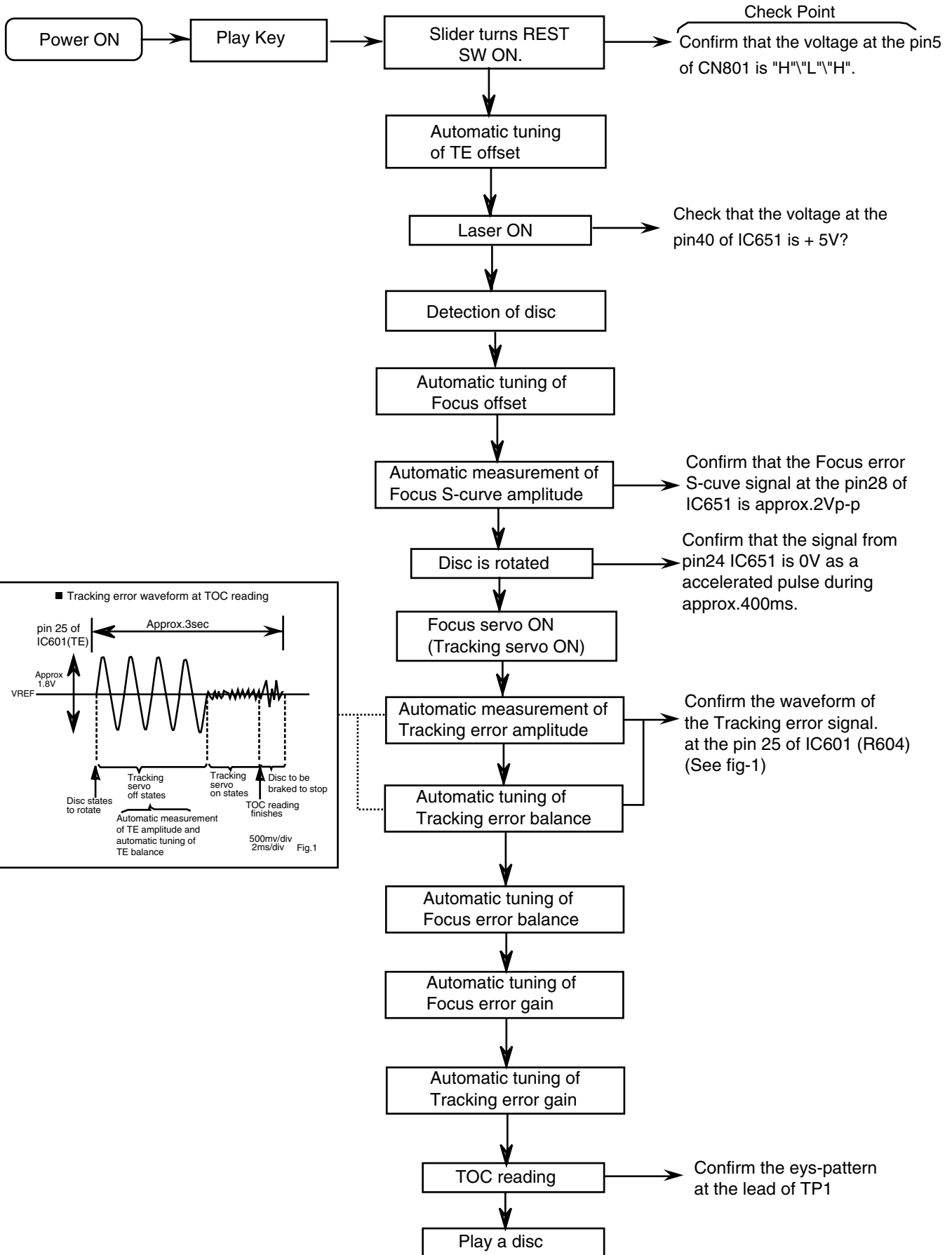
Items	Measurement conditions	Measurement method	Standard values	Adjusting positions
Adjustment of recording bias current (Reference value)	*Mode : Forward or reverse mode *Recording mode *Test tape : AC-225 Measurement output terminal : Both recording and headphone terminals	1. With the recording and playback mechanism, load the test tapes(AC-225 to TYP I ),and set the mechanism to the recording and pausing conditions in advance. 2. After connecting 100 Ω in series to the recorder head,measure the bias current with a valve voltmeter at both of the terminals. 3. After resetting the [PAUSE] mode,start recording. At this time,adjust VR101 for LcH and VR201 for RcH so that the recording bias current values become 4.0 μA (TYP I ).	AC-225 :4.20 μA	LcH :VR101 RcH :VR201
Adjustment of recording and playback frequency characteristics	Reference frequency :1kHz and 10kHz (REF:-20dB) Test tape :TYP I AC-225 Measurement input terminal :OSC IN	1. With the recording and playback mechanism,load the test tape(AC-225 to TYP I ),and set the mechanism to the recording and pausing condition in advance. 2. While repetitively inputting the reference frequency signal of 1kHz and 10kHz from OSC IN, record and playback the test tape. 3. While recording and playing back the test tape in TYP I ,adjust VR101 for LcH and VR201 for RcH so that the output deviation between 1kHz and 10kHz becomes -1dB±2dB.	Output deviation between 1kHz and 10kHz : -1dB ± 2dB	LcH :VR101 RcH :VR201

■ **Reference values for electrical function confirmation items**

Items	Measurement conditions	Measurement method	Standard values	Adjusting positions
Recording bias frequency	*Recording and playback side forward or reverse *Test tape :TYP I AC-225 *Measurement terminal BIAS TP on P.C.board	1. While changing over to and from BIAS 1 and 2, confirm that the frequency is changed. 2. With the recording and playback mechanism. load the test tape (AC-225 to TYP I ),and set the mechanism to the recording and pausing conditions in advance. 3. Confirm that the BIAS TP frequency on the P.C.board is 100kHz ± 6kHz.	100kHz +9kHz -7kHz	
Eraser current (Reference value)	*Recording and playback side forward or reverse *Recording mode *Test tape :AC-225 Measurement terminal Both of the eraser head	1. With the recording and playback mechanism, load the test tapes(AC-225 to TYP I ),and set the mechanism to the recording and pausing condition in advance. 2. After setting to the recording conditions,connect 1MΩ in series to the eraser head on the recording and playback mechanism side,and measure the eraser current from both of the eraser terminal.	TYP I :75mA	



# Flow of functional operation until TOC read



## Maintenance of laser pickup

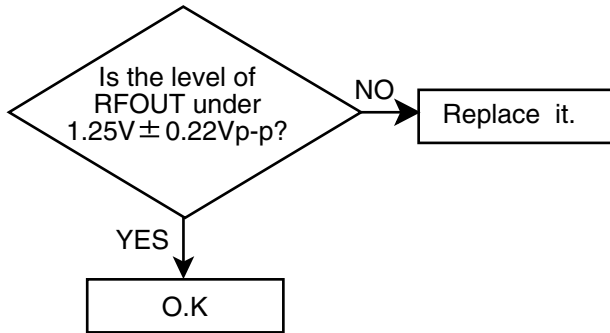
### (1) Cleaning the pick up lens

Before you replace the pick up, please try to clean the lens with a alcohol soaked cotton swab.

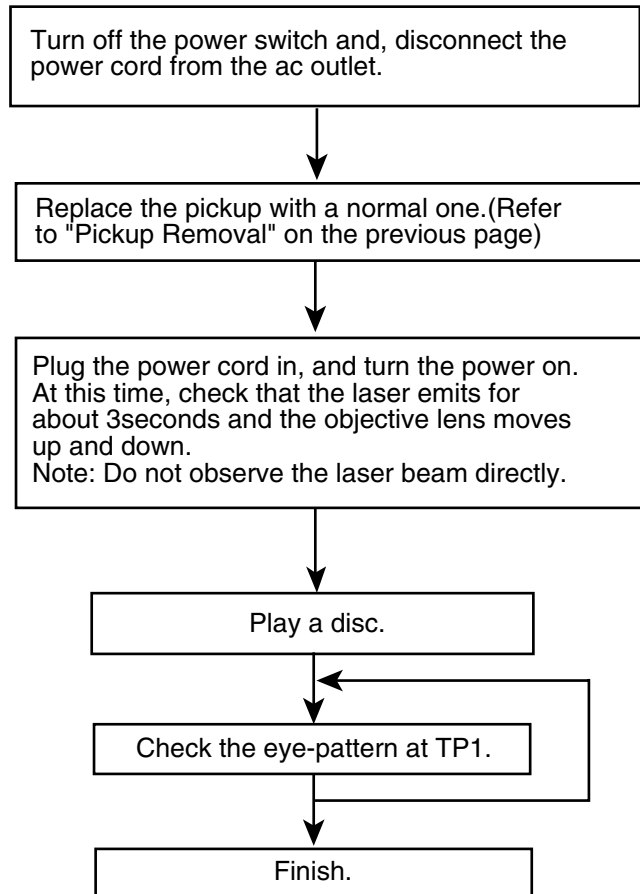
### (2) Life of the laser diode

When the life of the laser diode has expired, the following symptoms will appear.

1. The level of RF output (EFM output : amplitude of eye pattern) will below.



## Replacement of laser pickup



### (3) Semi-fixed resistor on the APC PC board

The semi-fixed resistor on the APC printed circuit board which is attached to the pickup is used to adjust the laser power. Since this adjustment should be performed to match the characteristics of the whole optical block, do not touch the semi-fixed resistor.

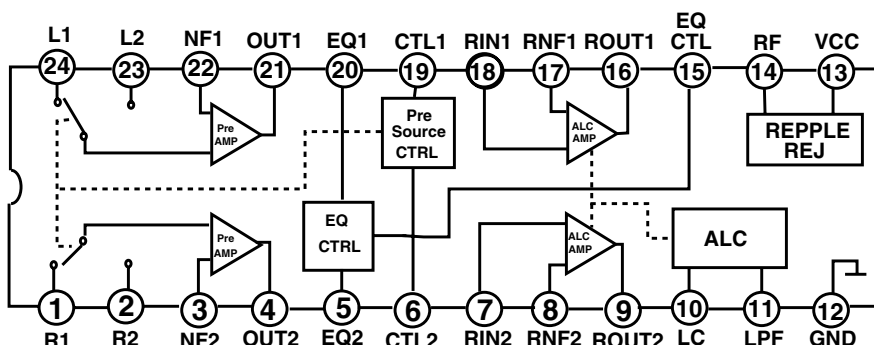
If the laser power is lower than the specified value, the laser diode is almost worn out, and the laser pickup should be replaced.

If the semi-fixed resistor is adjusted while the pickup is functioning normally, the laser pickup may be damaged due to excessive current.

# Description of major ICs

## ■ AN7345K (IC302) : PB/REC amp.

### 1. Block diagram



### 2. Pin Function

Pin No.	Symbol	I/O	Function	Pin No.	Symbol	I/O	Function
1	R1	I	Playback amplifier input	13	Vcc	I	Power supply
2	R2	I	Playback amplifier input	14	RF	I	Repple filter
3	NF2	I	Playback amplifier negative feedback	15	EQCTL	I	EQ control
4	OUT2	O	Playback amplifier output	16	ROUT1	O	Recording amplifier output
5	EQ2	I	Equlaizer	17	RNF1	I	Recording amplifier negative feedback
6	CTL2	I	Pre Amplifier input swithing time constant	18	RIN1	I	Recording amplifier input
7	RIN2	I	Recording amplifier input	19	CTL1	I	Pre amplifier input swithing control
8	RNF2	I	Recording amplifier negative feedback	20	EQ1	I	Equlayzer
9	ROUT2	O	Recording amplifier output	21	OUT1	O	Playback amplifier output
10	LC	I	ALC low cut	22	NF1	I	Playback amplifier negative feedback
11	LPF	I	ALC low pass filter	23	L2	I	Playback amplifier input
12	GND	I	—	24	L1	I	Playback amplifier input

■ **MN101C35DEA (IC810) : System controller**

Pin function (1/2)

Pin No.	Symbol	I/O	Function
1	KCMND	O	SVC3 Serial data output
2	MSTAT	I	SVC3 status input input
3	KCLK	I	SVC3 Serial clock input
4	DATAOUT	O	SLC/TUNER data output
5	DATAIN	I	TUNER data input
6	CK	O	SLC/TUNER clock
7	BEAT	O	Beat cut signal output of TUNER
8	VDD	-	Power supply +5V
9,10	OSC2,1	I/O	Oscillation terminal (8MHz)
11	VSS	-	Connect to GND
12,13	XI,XO	I/O	Sub clock (32.768kHz)
14	MMOD	-	Connect to GND
15	VREF-	-	Connect to GND
16~19	KEY1~4	I	Key matrix input 1~4
20	SLCKEY1	I	Tape B playback/recording detect switch
21	SLCKEY2	I	Tape B playback detect switch
22	SLCKEY3	I	Tape A playback detect switch
23	SPI	I	SPI IN
24	VREF+	I	AD port voltage reference
25	MRDY	I	VC3 Ready
26	RESET	I	Reset signal input
27	P OPEN	I	Rolling panel open detection signal input
28	P CLOSE	I	Rolling panel close detection signal input
29	VOLLED	O	LED Control signal output (VOL)
30	MSI	I	MS detector signal input
31	ECHO2	-	Echo ON/OFF(Not used)
32	ECHO1	-	Echo ON/OFF(Not used)
33	REMIN	I	Remote control signal input
34	PHOTOA	I	Tape A mechanism running detection signal input
35	PHOTOB	I	Tape B mechanism running detection signal input
36	INH	I	Inhibit signal input
37	RDSCLK	I	Clock signal input from IC3 (B/E/EN model)
38	PRT	I	Protector input
39	EXTCE	-	EXT IC Chip enable
40~41	BASSVOL+/-	I	Bass volume rotary encoder input(+/-)
42	RDS-DATA	I	RDS data input from IC3(B/E/EN model)
43	SPIA	-	SPI Control A
44	SPIB	-	SPI Control B
45,46	VOL+/-	I	Volume rotary encoder input (+/-)
47	MPX	I	Stereo detect
48	FVOLDA	O	Front volume data output
49	VOLCLK	O	Clock signal output to IC436
50	BASSLED	O	LED Control signal output (BASS)

Pin function (2/2)

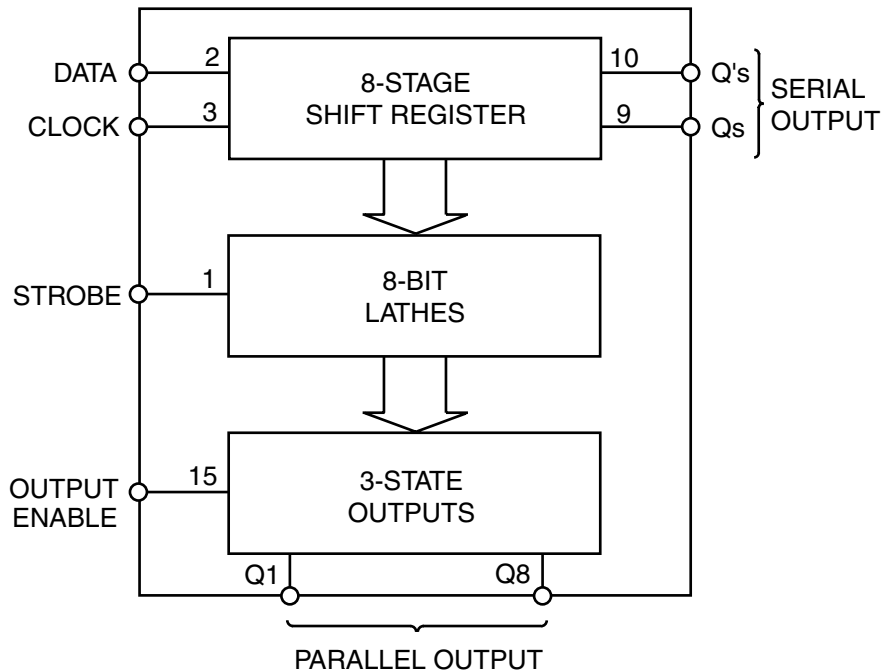
Pin No.	Symbol	I/O	Function
51~63	G13~G1	O	FL grid control signal output
64~87	P1~P24	O	FL segment control signal output
88	SLCCE	O	SLC Chip enable signal output to IC303,IC304
89	AUX LED	O	LED Control signal output (AUX)
90	DOORCL	O	Rolling panel motor control signal output
91	DOOR OPEN	O	Rolling panel motor control signal output
92	CDLED	O	LED Control signal output (CD)
93	TAPE LED	O	LED Control signal output (TAPE)
94	TU LED	O	LED Control signal output (TUNER)
95	SMUTE	O	System mute control signal output
96	BTU+	O	Tuner supply control
97	POUT	O	Power ON/OFF
98	TUCE	O	TUNER Chip enable signal output
99	VC3RESET	O	VC3 reset output
100	VPP	-	Power supply

■ BU4094BCF (IC303) : Serial to parallel port extension

1.Pin layout

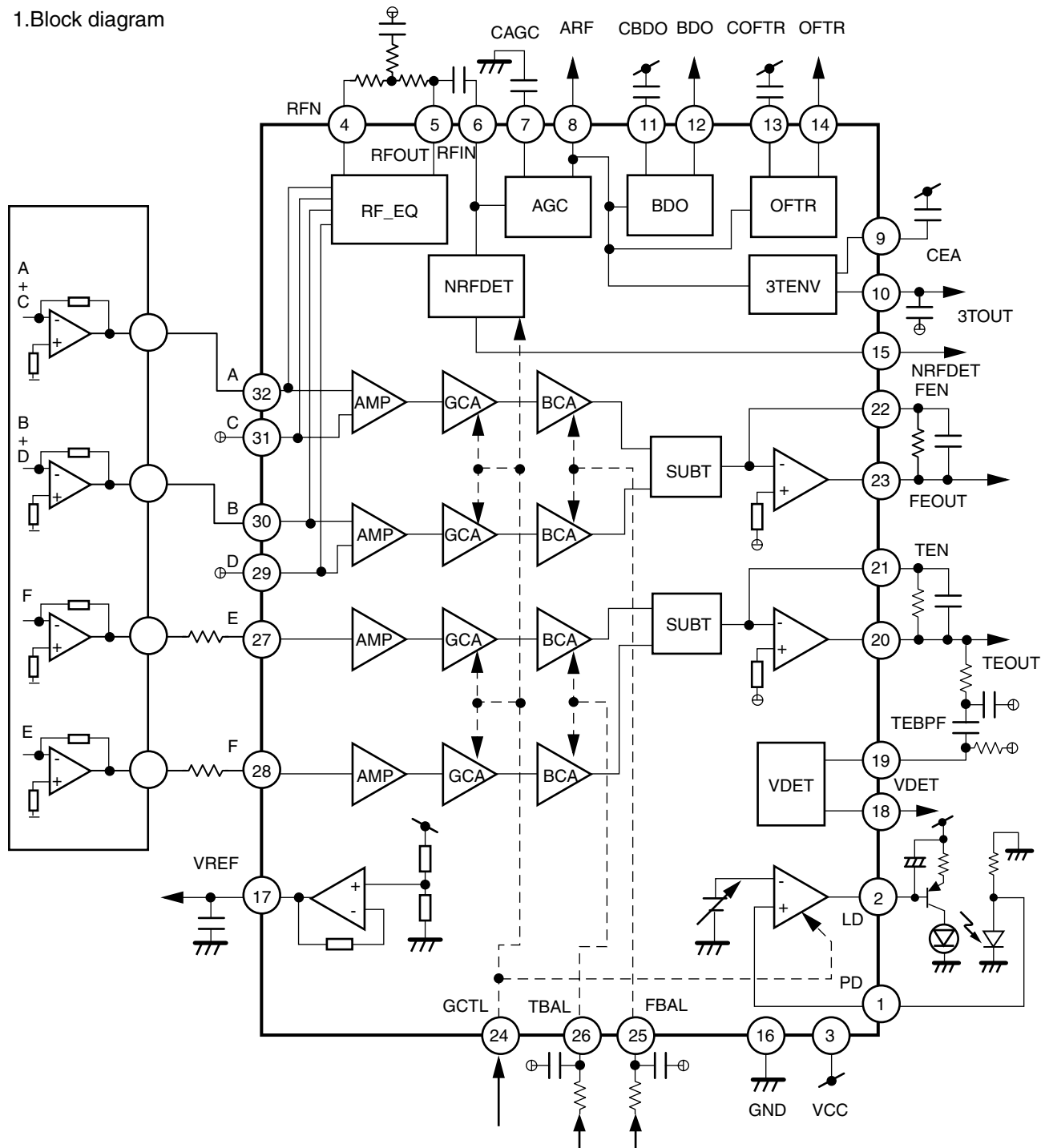
STROBE	1	16	Vdd
DATA	2	15	OUTPUT ENABLE
CLOCK	3	14	Q5
Q1	4	13	Q6
Q2	5	12	Q7
Q3	6	11	Q8
Q4	7	10	Q's
Vss	8	9	Qs

2.Block diagram



■ AN22000A-W (IC601) : Digital servo head amp.

1. Block diagram

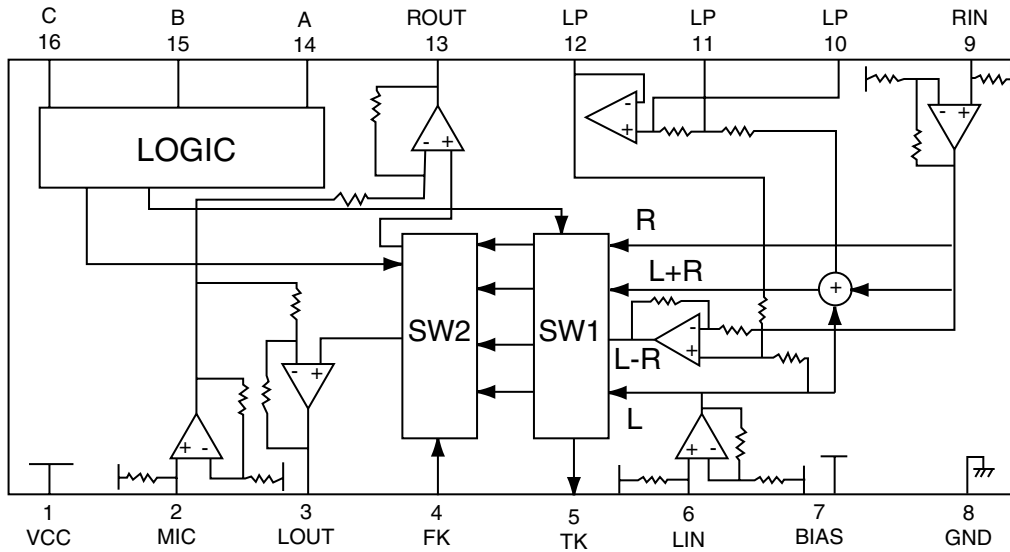


2. Pin function

Pin No.	Function	Pin No.	Function	Pin No.	Function
1	APC amp. input terminal	11	For envelope detection at the dark side of RF	22	FE amp. reverse input terminal
2	APC amp. output terminal	12	BDO output terminal	23	FE amp. output terminal
3	Power terminal	13	For envelope detection at the blight side of RF	24	GCTL & APC terminal
4	Inversion input terminal for RF addition amplifier	14	OFTR output terminal	25	FBAL control terminal
5	RF add amp. output terminal	15	NRFDDET output terminal	26	TBALcontrlo terminal
6	AGC input terminal	16	Ground	27	Tracking signal input terminal 1
7	Capacity connecting terminal for AGC loop filer	17	VREER output terminal	28	Tracking signal input terminal 2
8	AGC output terminal	18	VDET output terminal	29	Focus signal input terminal 4
9	Capacity connecting terminal for HPF amplifier	19	VDET input terminal	30	Focus signal input terminal 2
10	3TENV output terminal	20	TE amp. output terminal	31	Focus signal input terminal 3
		21	TE amp. reverse input terminal	32	Focus signal input terminal 1

■ BA3837 (IC466) : Mic mixer

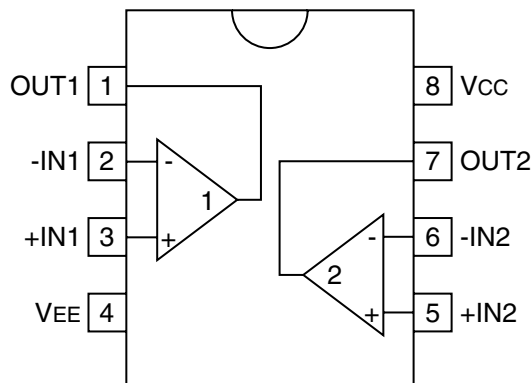
1. Block diagram



2. Pin function

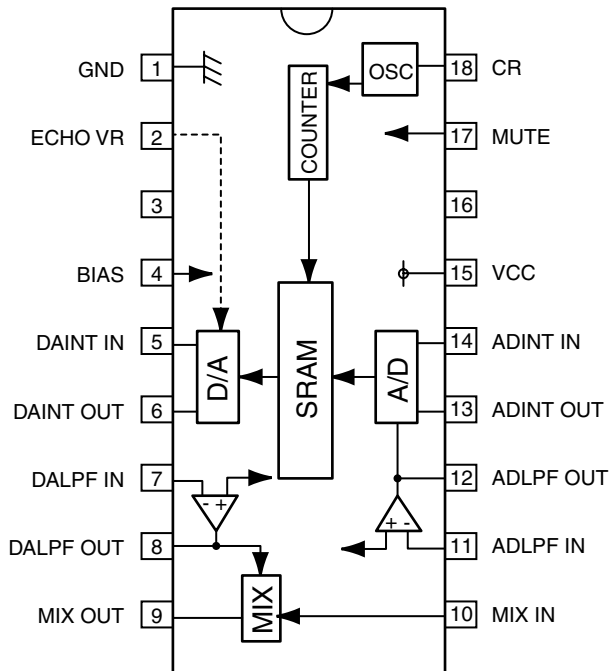
Pin No.	Symbol	I/O	Description
1	VCC	-	Power supply
2	MIC IN	I	Microphone mixing input
3	LOUT	O	Channel L output
4	FK	-	Non connect
5	TK	-	Non connect
6	LIN	I	Channel L input
7	BIAS	I	Signal bias
8	GND	-	Connect to GND
9	RIN	I	Channel R input
10	LPF1	O	Connects to LPF time constant element
11	LPF2	O	Connects to LPF time constant element
12	LPF3	O	LPF output
13	ROUT	O	Channel R output
14	CONTA	I	Mode select input A
15	CONTB	I	Mode select input B
16	CONTC	I	Mode select input C

■ BA15218 (IC481, IC501, IC502, IC526, IC571) : Op. amp.



■ BU9253AS (IC902) : LPF & Echo mix.

1.Pin layout & block diagram



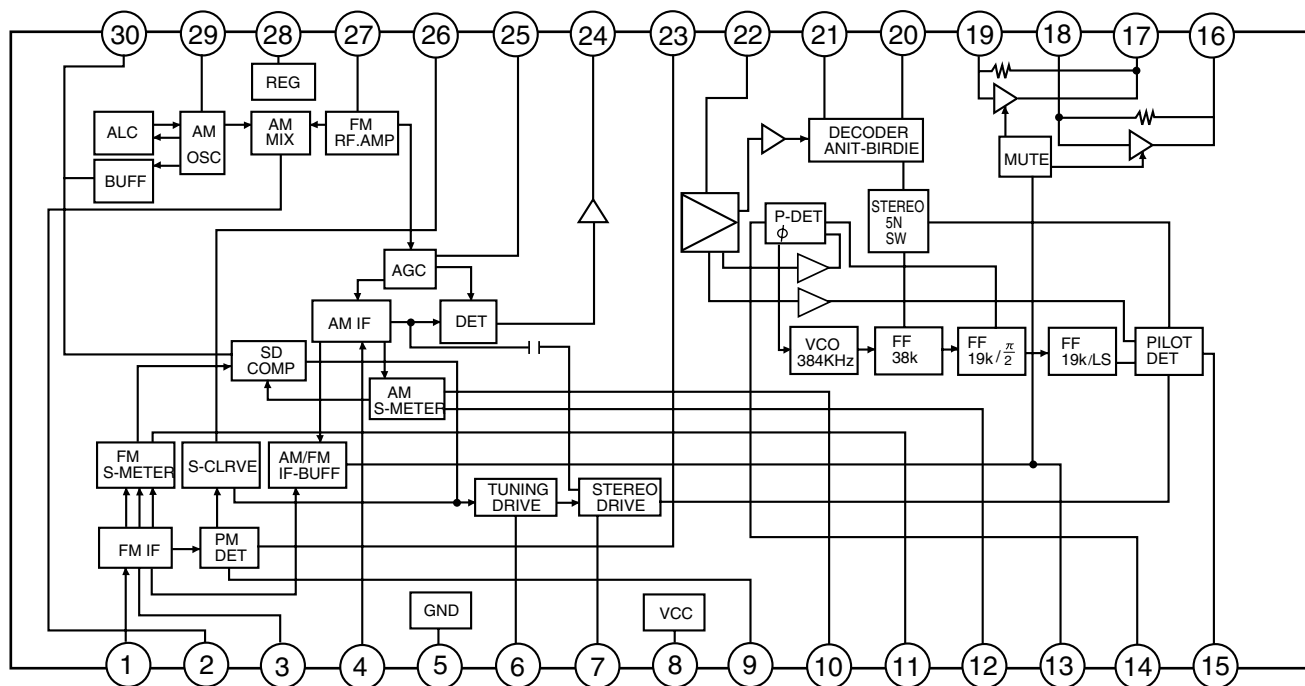
2.Pin function

Pin No.	Symbol	I/O	Descriptions
1	GND	-	Connect GND
2	ECHO VR	I	Echo level control
3		-	Non connect
4	BIAS	-	Analog part DC bias
5	DAINT IN	I	DA side integrator input
6	DAINT OUT	O	DA side integrator output
7	DALPF IN	I	DA side LPF input
8	DALPF OUT	O	DA side LPF output
9	MIX OUT	O	Mix AMP output for original tone& echo tone
10	MIX IN	I	Mix AMP input pin for original tone
11	ADLPF IN	I	AD side LPF input
12	ADLPF OUT	O	AD side LPF output
13	ADINT OUT	O	AD side integrator output
14	ADINT IN	I	AD side integrator input
15	VCC	-	Power supply
16	NC2	-	Non connect
17	MUTE	I	Mute control signal input
18	CR	-	CR pin for oscillator



■ LA1838 (IC1) : FM AM IF amp. & detector, FM MPX decoder

1. Block Diagram

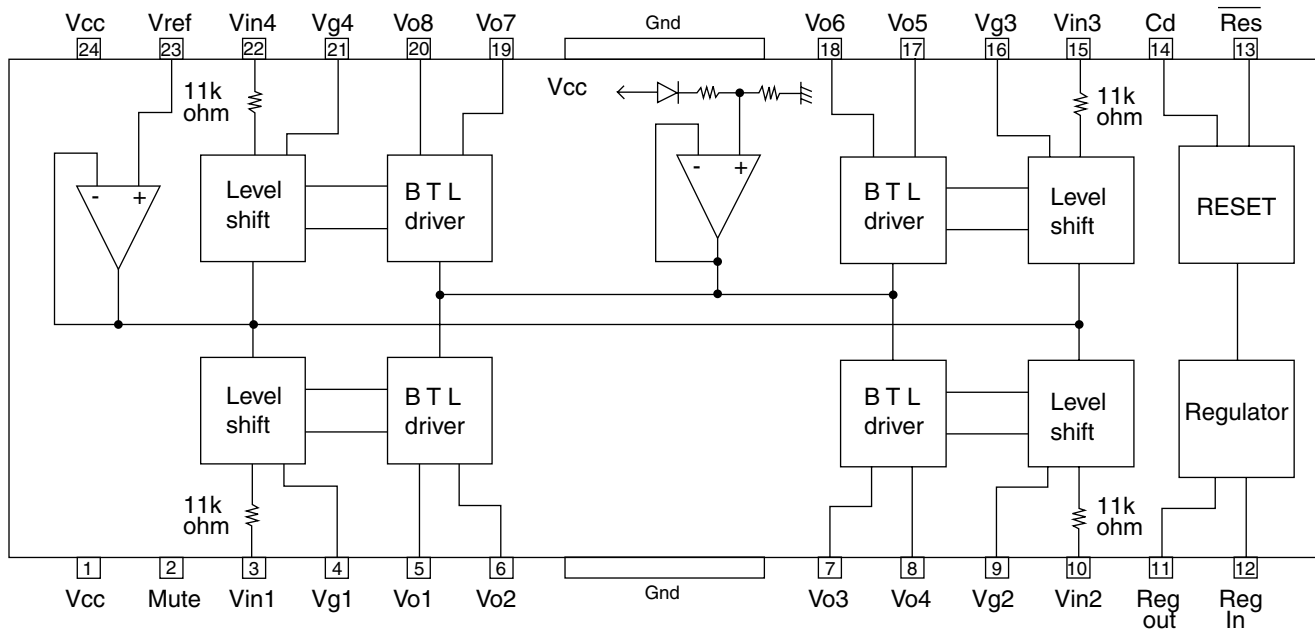


2. Pin Function

Pin No.	Symbol	I/O	Function	Pin No.	Symbol	I/O	Function
1	FM IN	I	This is an input terminal of FM IF signal.	16	L OUT	O	Left channel signal output.
2	AM MIX	O	This is an out put terminal for AM mixer.	17	R OUT	O	Right channel signal output.
3	FM IF	I	Bypass of FM IF	18	L IN	I	Input terminal of the left channel post AMP.
4	AM IF	I	Input of AM IF Signal.	19	R IN	I	Input terminal of the right channel post AMP.
5	GND	-	This is the device ground terminal.	20	RO	O	Mpx Right channel signal output.
6	TUNED	O	When the set is tuning, this terminal becomes "L".	21	LO	O	Mpx Left channel signal output.
7	STEREO	O	Stereo indicator output. Stereo "L", Mono: "H"	22	IF IN	I	Mpx input terminal
8	VCC	-	This is the power supply terminal.	23	FM OUT	O	FM detection output.
9	FM DET	-	FM detect transformer.	24	AM DET	O	AM detection output.
10	AM SD	-	This is a terminal of AM ceramic filter.	25	AM AGC	I	This is an AGC voltage input terminal for AM
11	FM VSM	O	Adjust FM SD sensitivity.	26	AFC	-	This is an output terminal of voltage for FM-AFC.
12	AM VSM	O	Adjust AM SD sensitivity.	27	AM RF	I	AM RF signal input.
13	MUTE	I/O	When the signal of IF REQ of IC121( LC72131) appear, the signal of FM/AM IF output. //Muting control input.	28	REG	O	Register value between pin 26 and pin28 decides the frequency width of the input signal.
14	FM/AM	I	Change over the FM/AM input. "H" :FM, "L" : AM	29	AM OSC	-	This is a terminal of AM Local oscillation circuit.
15	MONO/ST	O	Stereo : "H", Mono: "L"	30	OSC BUFFER	O	AM Local oscillation Signal output.

■ LA6541-X (IC801) : Servo driver

1. Pin Layout & block diagram



2. Pin function

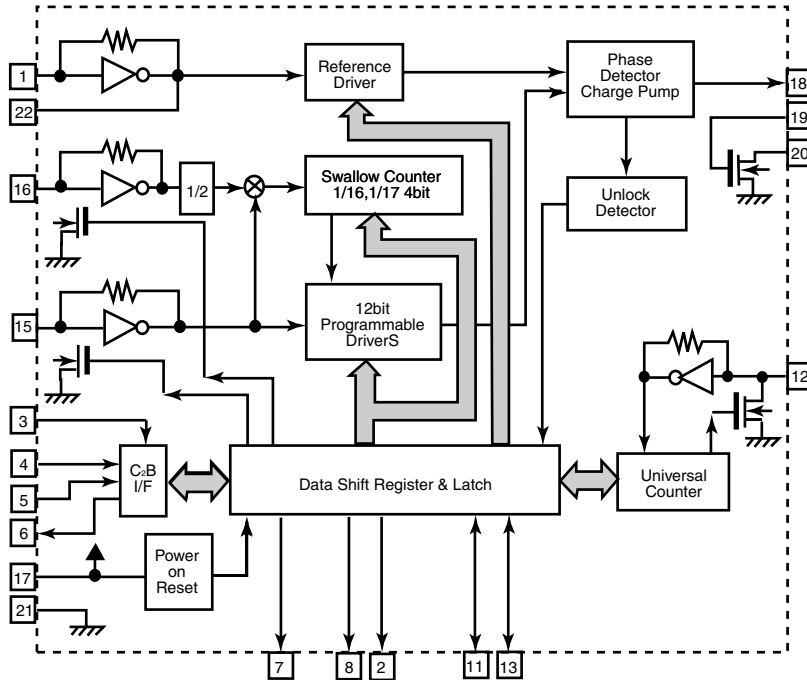
Pin No.	Symbol	Function
1	Vcc	Power supply (Shorted to pin 24)
2	Mute	All BTL amplifier outputs ON/OFF
3	Vin1	BTL AMP 1 input pin
4	Vg1	BTL AMP 1 input pin (For gain adjustment)
5	Vo1	BTL AMP 1 input pin (Non inverting side)
6	Vo2	BTL AMP 1 input pin (Inverting side)
7	Vo3	BTL AMP 2 input pin (Inverting side)
8	Vo4	BTL AMP 2 input pin (Non inverting side)
9	Vg2	BTL AMP 2 input pin (For gain adjustment)
10	Vin2	BTL AMP 2 input pin
11	Reg Out	External transistor collector (PNP) connection. 5V power supply output
12	Reg In	External transistor (PNP) base connection
13	Res	Reset output
14	Cd	Reset output delay time setting (Capacitor connected externally)
15	Vin3	BTL AMP 3 input pin
16	Vg3	BTL AMP 3 input pin (For gain adjustment)
17	Vo5	BTL AMP 3 output pin (Non inverting side)
18	Vo6	BTL AMP 3 output pin (Inverting side)
19	Vo7	BTL AMP 4 output pin (Inverting side)
20	Vo8	BTL AMP 4 output pin (Non inverting side)
21	Vg4	BTL AMP 4 output pin (For gain adjustment)
22	Vin4	BTL AMP 4 output pin
23	Vref	Level shift circuit's reference voltage application
24	Vcc	Power supply (Shorted to pin 1)

## ■ LC72136N (IC2) : PLL frequency synthesizer

### 1. Pin layout

XT	1	22	XT
FM/AM	2	21	GND
CE	3	20	LPFOUT
DI	4	19	LPFIN
CLOCK	5	18	PD
DO	6	17	VCC
FM/ST/VCO	7	16	FMIN
AM/FM	8	15	AMIN
	9	14	
	10	13	IFCONT
SDIN	11	12	IFIN

### 2. Block diagram

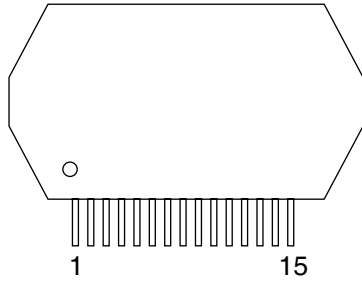


### 3. Pin function

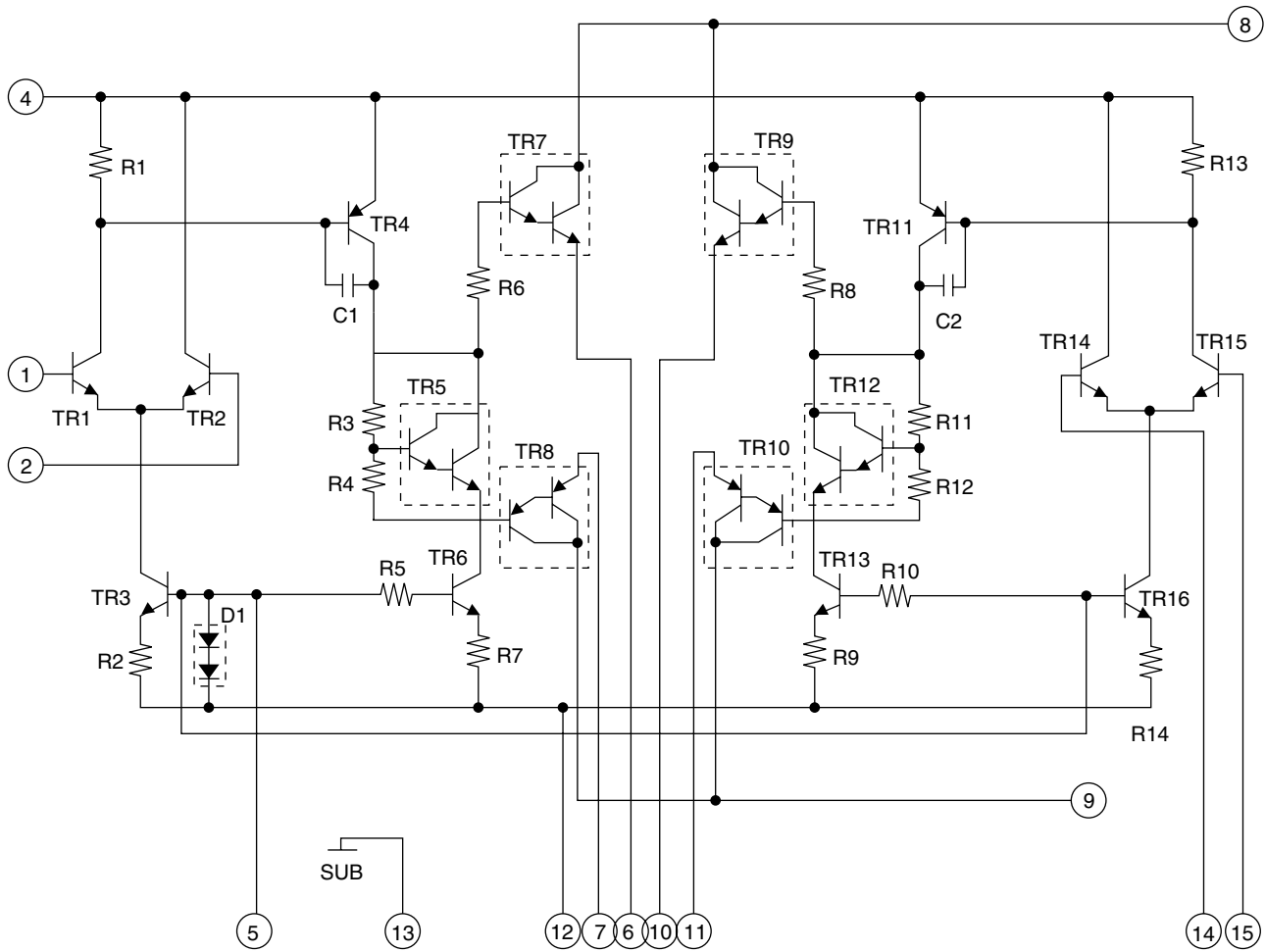
Pin No.	Symbol	I/O	Function	Pin No.	Symbol	I/O	Function
1	XT	I	X'tal oscillator connect (75kHz)	12	IFIN	I	IF counter signal input
2	FM/AM	O	LOW:FM mode	13	IFCONT	O	IF signal output
3	CE	I	When data output/input for 4pin(input) and 6pin(output): H	14	-	-	Not use
4	DI	I	Input for receive the serial data from controller	15	AMIN	I	AM Local OSC signal output
5	CLOCK	I	Sync signal input use	16	FMIN	I	FM Local OSC signal input
6	DO	O	Data output for Controller Output port	17	VCC	-	Power suply(VDD=4.5-5.5V) When power ON:Reset circuit move
7	FM/ST/VCO	O	"Low": MW mode	18	PD	O	PLL charge pump output(H: Local OSC frequency Height than Reference frequency. L: Low Agreement: Height impedance)
8	AM/FM	O	Open state after the power on reset	19	LPFIN	I	Input for active lowpassfilter of PLL
9	LW	I/O	Input/output port	20	LPFOUT	O	Output for active lowpassfilter of PLL
10	MW	I/O	Input/output port	21	GND	-	Connected to GND
11	SDIN	I/O	Data input/output	22	XT	I	X'tal oscillator(75KHz)

■STK402-050[MX-GT98/95V], STK402-030[MX-GT88/85V, MX-G78/75V] (IC601)  
: Power amp.

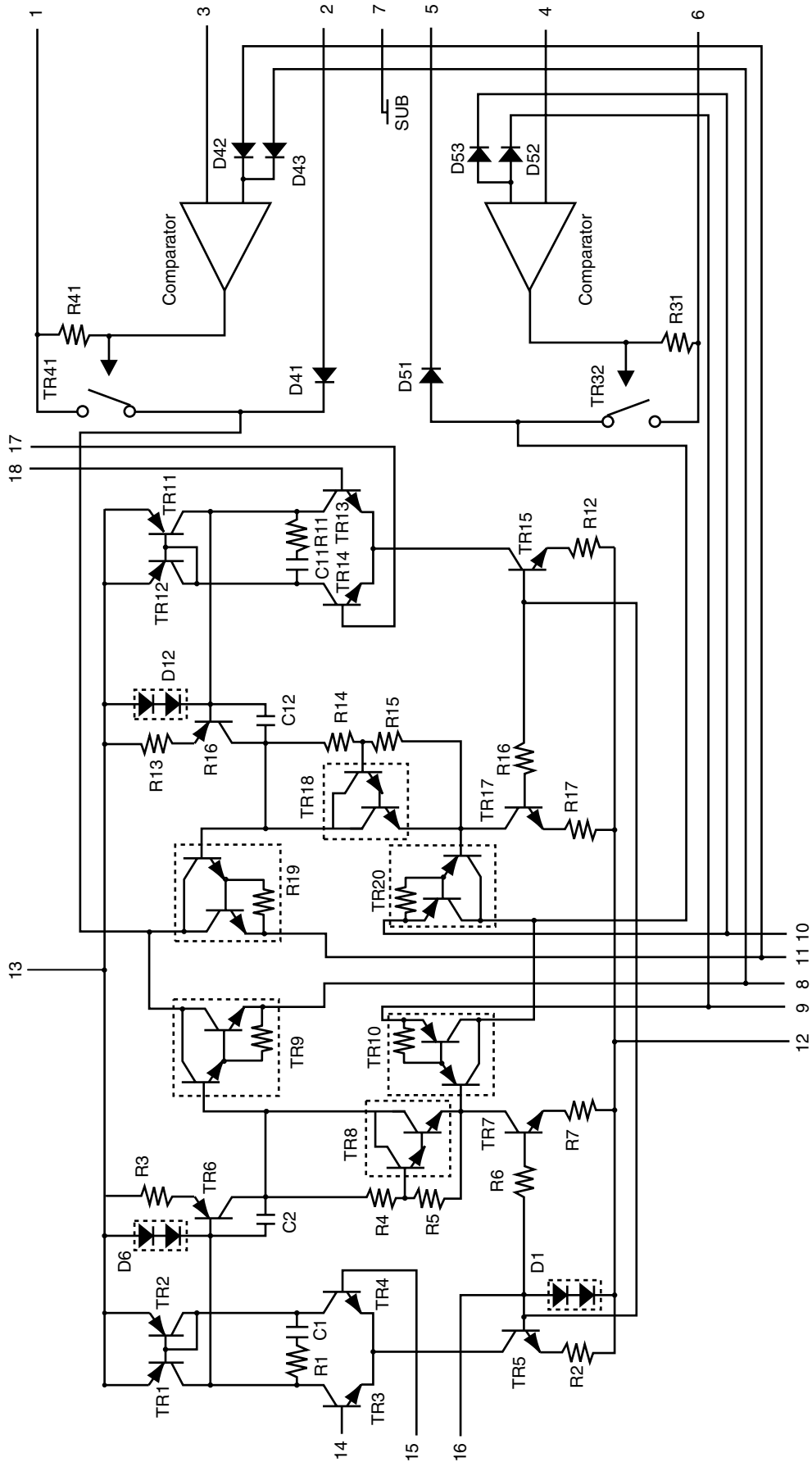
1.Pin layout



2.Block diagram

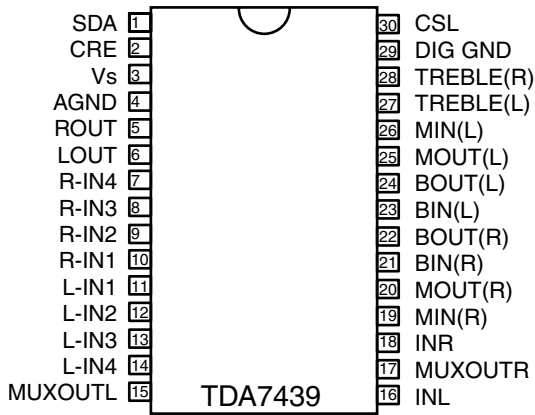


■ STK412-010[MX-GT98V/GT95V], STK412-000[MX-GT88V/GT85V],  
 STK412-090[MX-G78V/G75V] (IC701) : Power amp.

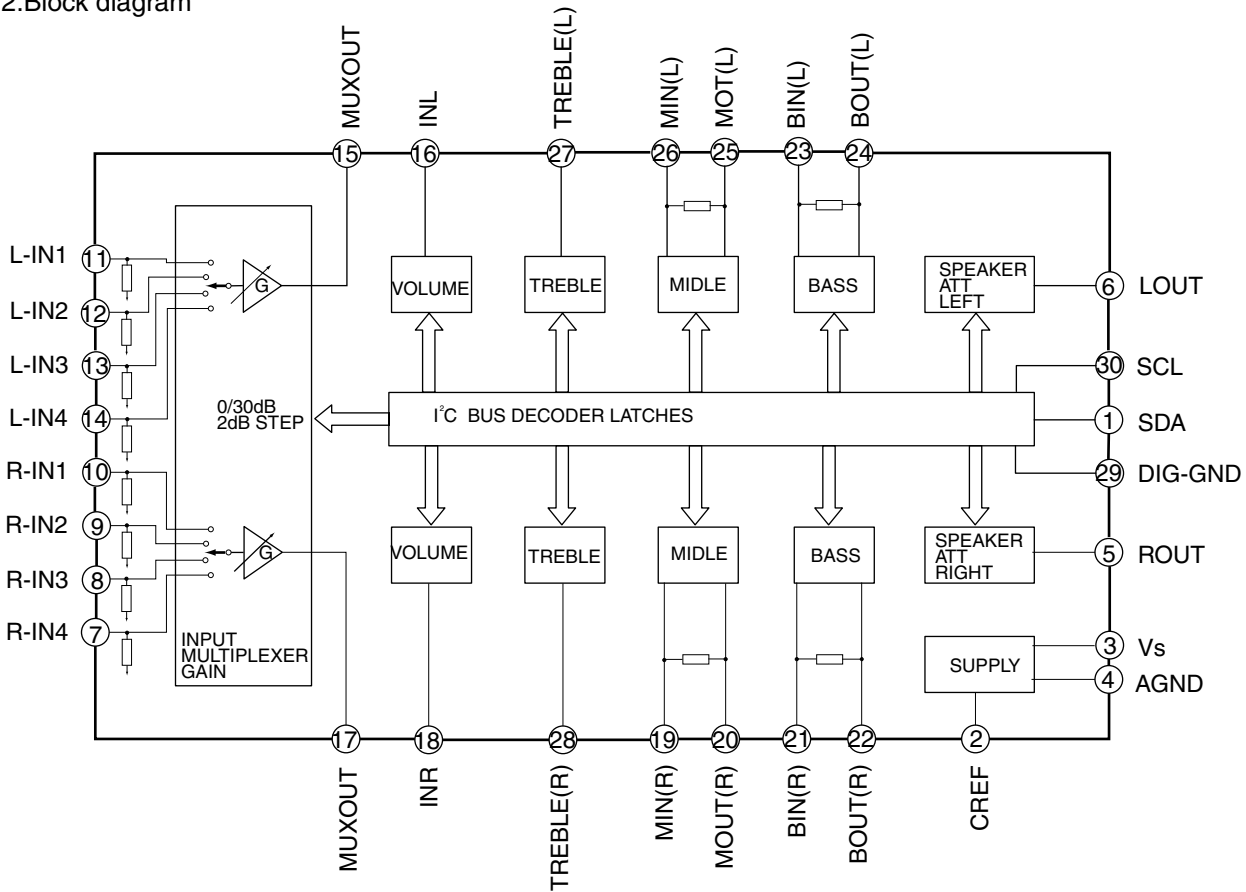


■ TDA7439 (IC436) : Control volume

1.Pin layout

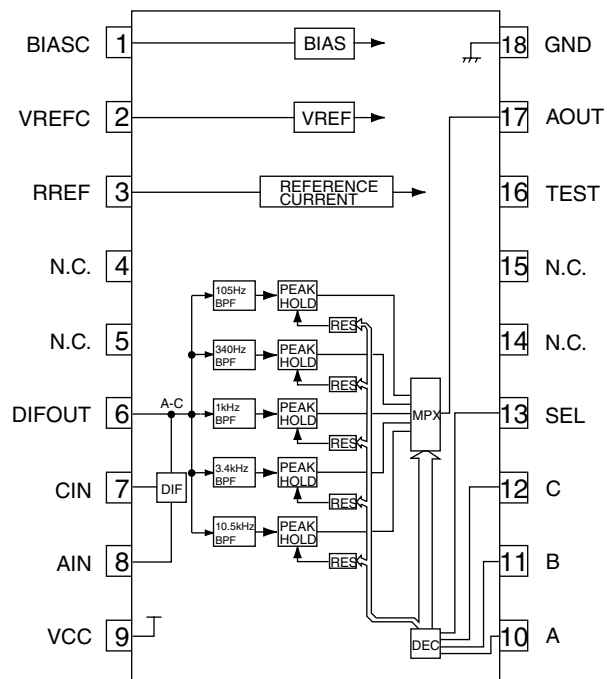


2.Block diagram



■ BA3835S[MX-GT98/95V] (IC812) : SPI B.P.F.

1. Block Diagrams

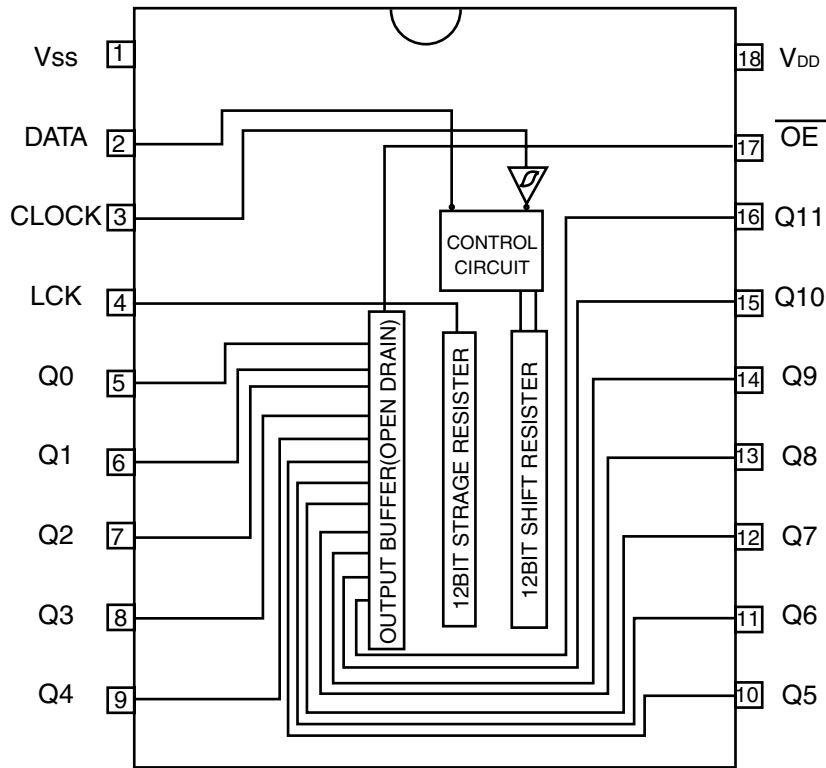


2. Pin Function

No.	Symbol	I/O	Function
1	BIASC	-	Decoupling condenser connection terminal.
2	VREFC	-	Decoupling condenser connection terminal.
3	RPEF	-	Reference resistance connection terminal.
4	NC	-	Non connect.
5	NC	-	Non connect.
6	NC	-	Non connect.
7	CIN	-	Connected to GND of audio system through a condenser.
8	AIN	I	Inputs the audio signal through a condenser.
9	VCC	-	Power supply terminal.
10	SPI-A	O	Output selection control terminal.
11	SPI-B	O	Output selection control terminal.
12	SPI-C	O	Output selection control terminal.
13	SPICSB	O	Output selection control terminal.
14	NC	-	Non connect.
15	NC	-	Non connect.
16	TEST	-	Connected to GND upon normal use.
17	AOOUT	O	Multi-plexor output terminal.
18	GND	-	Connect to GND.

■ BU2092/F (IC811) : Port expander

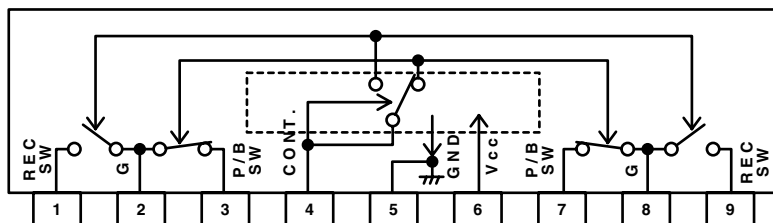
1. Terminal Layout



2. Pin Function

Pin No.	Symbol	I/O	Function						
1	Vss	-	GND						
2	DATA	I	Serial Data input						
3	CLOCK	I	Shift Clock of Data (Rise Edge Trigger)						
4	LCK	I	Latch Clock of Data (Rise Edge Trigger)						
5~16	Q0~Q11	O	Parallel Data Output (Nch Open Drain FET)						
<table border="1"> <tr> <td>Latch Data</td> <td>L</td> <td>H</td> </tr> <tr> <td>OUTPUT</td> <td>ON</td> <td>OFF</td> </tr> </table>				Latch Data	L	H	OUTPUT	ON	OFF
Latch Data	L	H							
OUTPUT	ON	OFF							
17	$\overline{OE}$	I	Output Enable (Output FET "H" Level is OFF)						
18	V <sub>DD</sub>	-	Power Supply						

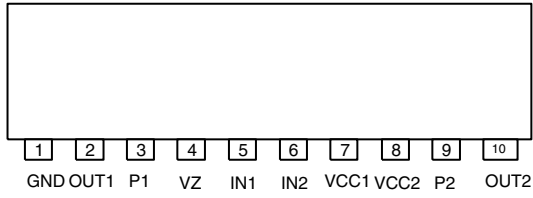
■ BA3126N (IC301) : R/P switch





■ **LB1641 (IC851, IC852) : DC motor driver**

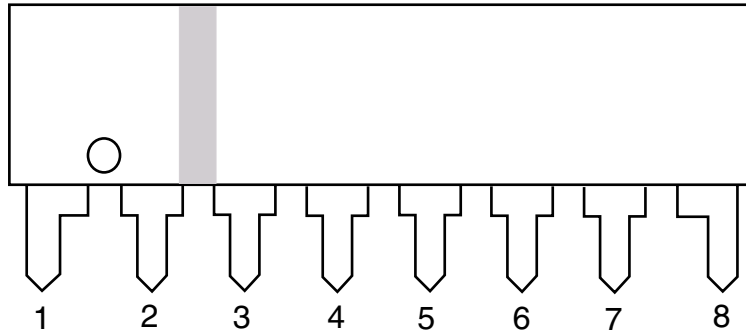
1. Pin layout



2. Pin function

Input		Output		Mode
IN1	IN2	OUT1	OUT2	
0	0	0	0	Brake
1	0	1	0	CLOCKWISE
0	1	0	1	COUNTER-CLOCKWISE
1	1	0	0	Brake

■ **NJM4580L[US ver. only] (IC901) : Mic amp.**



1. A OUTPUT
2. A-INPUT
3. A+INPUT
4. V<sup>-</sup>
5. B+INPUT
6. B-INPUT
7. B OUTPUT
8. V<sup>+</sup>

**MX-GT98V/MX-GT95V/MX-GT88V**  
**MX-GT85V/MX-G78V/MX-G75V**

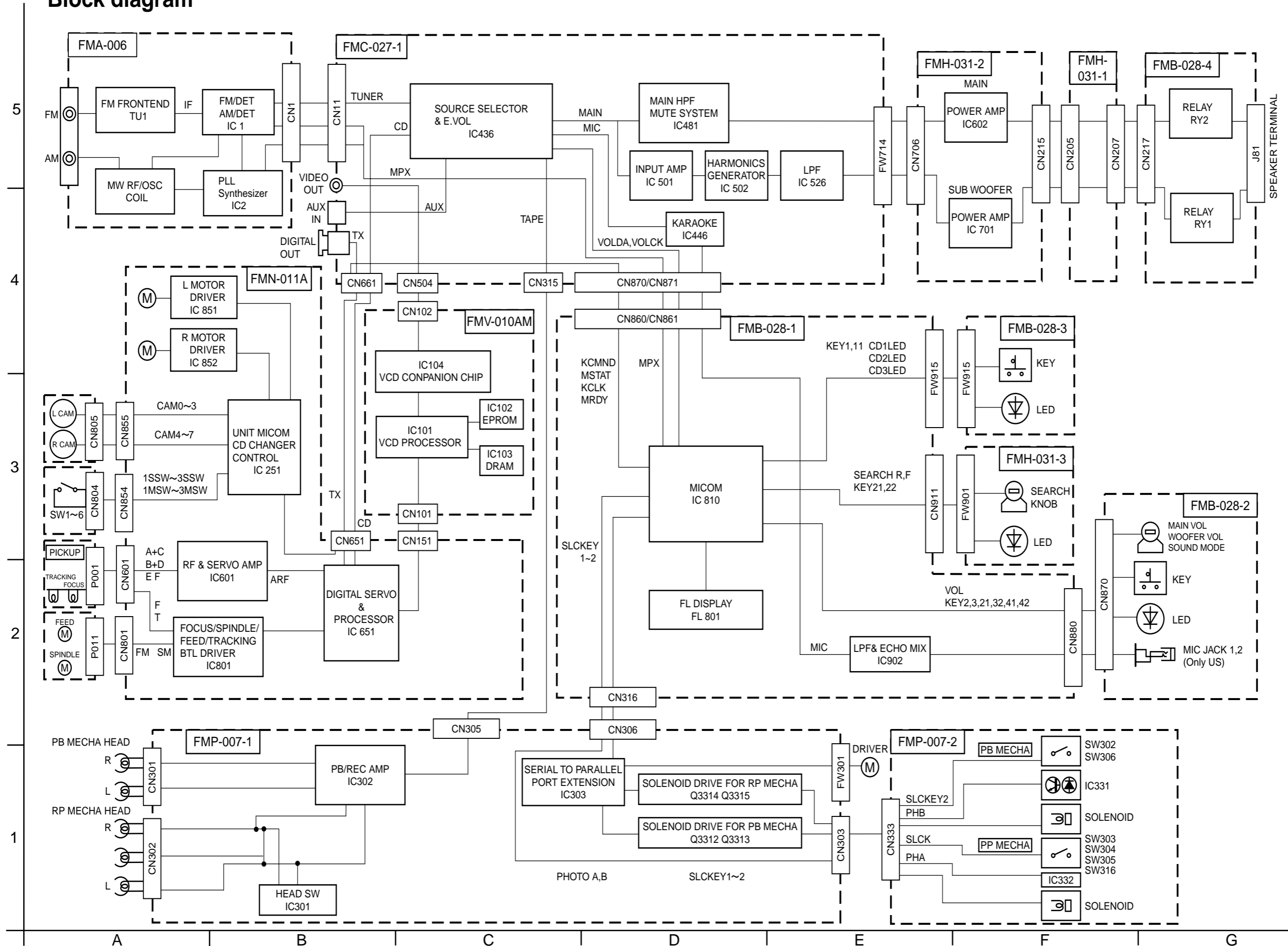
**JVC**

**VICTOR COMPANY OF JAPAN, LIMITED**

AUDIO & COMMUNICATION BUSINESS DIVISION

PERSONAL & MOBILE NETWORK BUSINESS UNIT. 10-1,1chome,Ohwatari-machi,Maebashi-city,371-8543,Japan

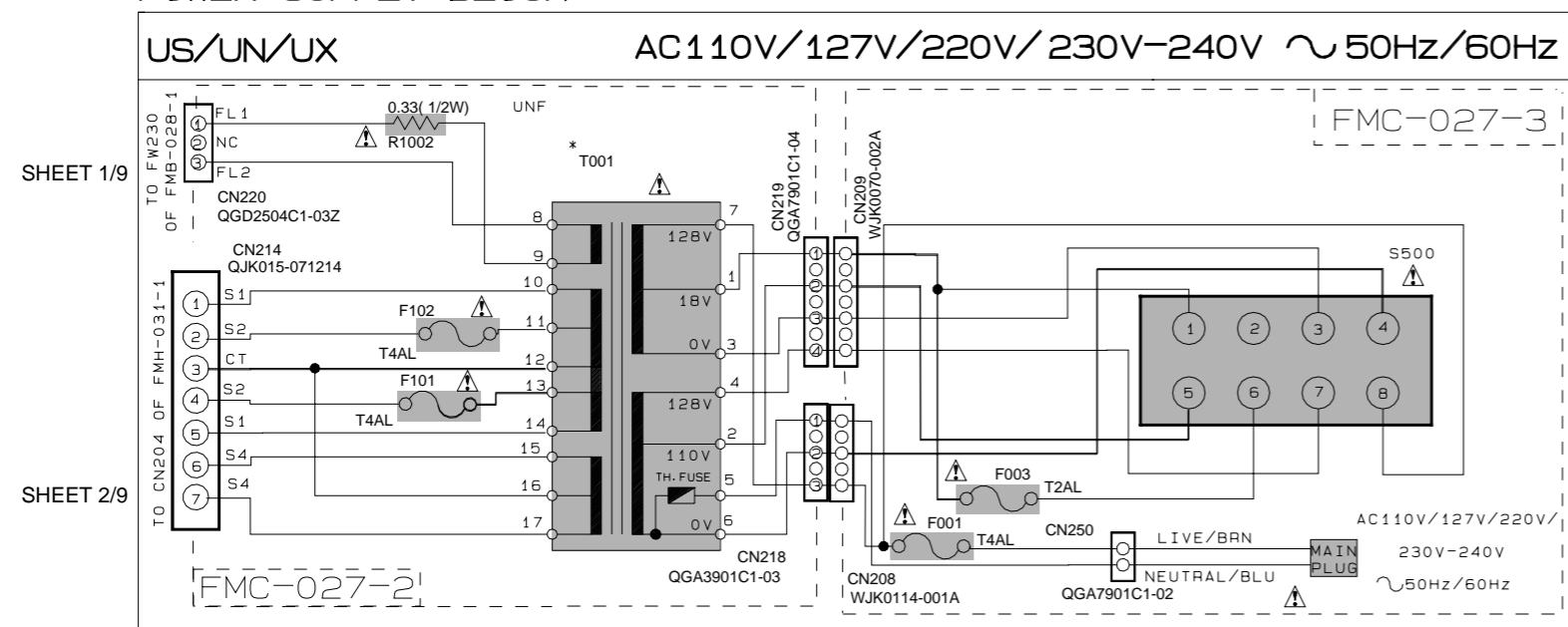
# Block diagram



# Standard schematic diagrams

## Power supply section

### POWER SUPPLY BLOCK

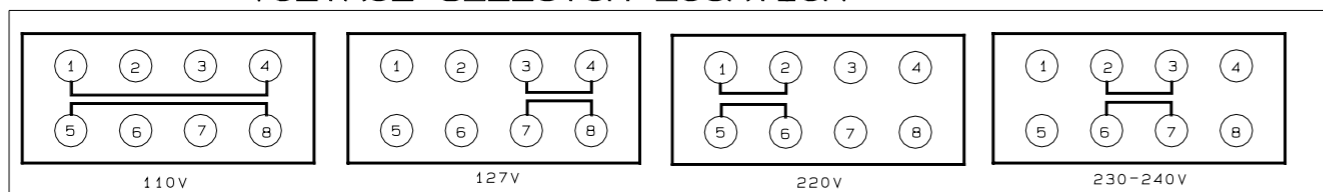


### EXPLANATION OF OVERALL OF SCHEMA.

MODEL CA-MXG75/78V/CA-MXGT85/88/95/98V

SHEET NUMBER	MODEL NUMBERS TO BE APPLIED	CIRCUITS DESCRIPTION
1/9	CA-MXG75V/78V CA-MXGT85/88/95/98V	. PRIMARY WITH MAINS TRANSFORMER
2/9	CA-MXG75V/78V CA-MXGT85/88/95/98V	. DC REGULATORS/AUDIO OUTPUT
3/9	CA-MXG75V/78V CA-MXGT85/88/95/98V	. EXTERNAL INPUT. SOURCE SELECTOR SWITCH
4/9	CA-MXG75V/78V CA-MXGT85/88/95/98V	. FL DISPLAYS. SYSTEM CONTROL LSI
5/9	CA-MXG75V/78V CA-MXGT85/88/95/98V	. USER CONTROL KEYS. MIC AMP
6/9	CA-MXG75V/78V CA-MXGT85/88/95/98V	. CD SERVO AND CD SYSTEM CONTROL . CD CHANGER MECHANISM CONTROL
7/9	CA-MXG75V/78V CA-MXGT85/88/95/98V	. TAPE DECK MECHANISM CONTROL . TAPE CIRCUITS SUCH AS PRE-AMP AND BIAS
8/9	CA-MXG75V/78V CA-MXGT85/88/95/98V	. TUNER RF/IF/FM MULTIPLEX
9/9	CA-MXG75V/78V CA-MXGT85/88/95/98V	. VIDEO OUT

### VOLTAGE SELECTOR LOCATION



\* MARK

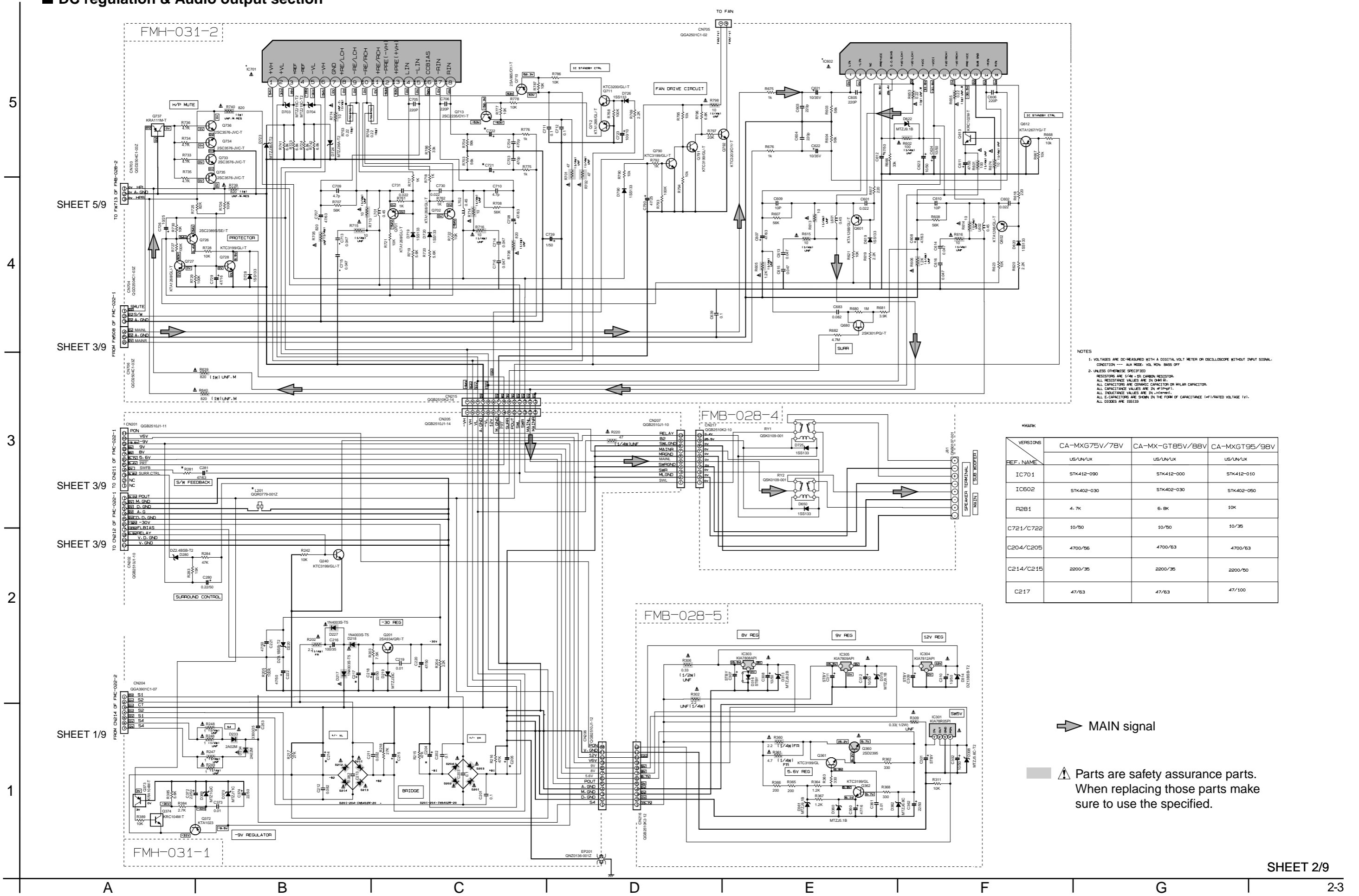
MODEL REF. NO.	MX-G75/78V	MX-GT85/88V	MX-GT95/98V
T001	QQT0319-003	QQT0320-003	QQT0322-003

### VERSION CODES

UN : ASEAN  
UX : SAUDI ARABIA  
US : SINGAPORE AND UNIVERSAL EXCEPT ALL OF ABOVE

Parts are safety assurance parts.  
When replacing those parts make sure to use the specified.

■ DC regulation & Audio output section



NOTES  
1. VOLTAGES ARE DC-MEASURED WITH A DIGITAL VOLT METER OR OSCILLOSCOPE WITHOUT INPUT SIGNAL. CONDITION --- ALL INDEX VOL-KVW-BMS OFF  
2. UNLESS OTHERWISE SPECIFIED  
RESISTORS ARE 1/4W ±5% CARBON RESISTOR.  
ALL RESISTANCE VALUES ARE IN OHMS.  
ALL CAPACITORS ARE CERAMIC CAPACITOR OR MYLAR CAPACITOR.  
ALL CAPACITANCE VALUES ARE IN nF/µF/pF.  
ALL INDUCTANCE VALUES ARE IN mH/µH.  
ALL CAPACITORS ARE SHOWN IN THE FORM OF CAPACITANCE (µF/RATED VOLTAGE V).  
ALL DIODES ARE 1SS133

\*MARK

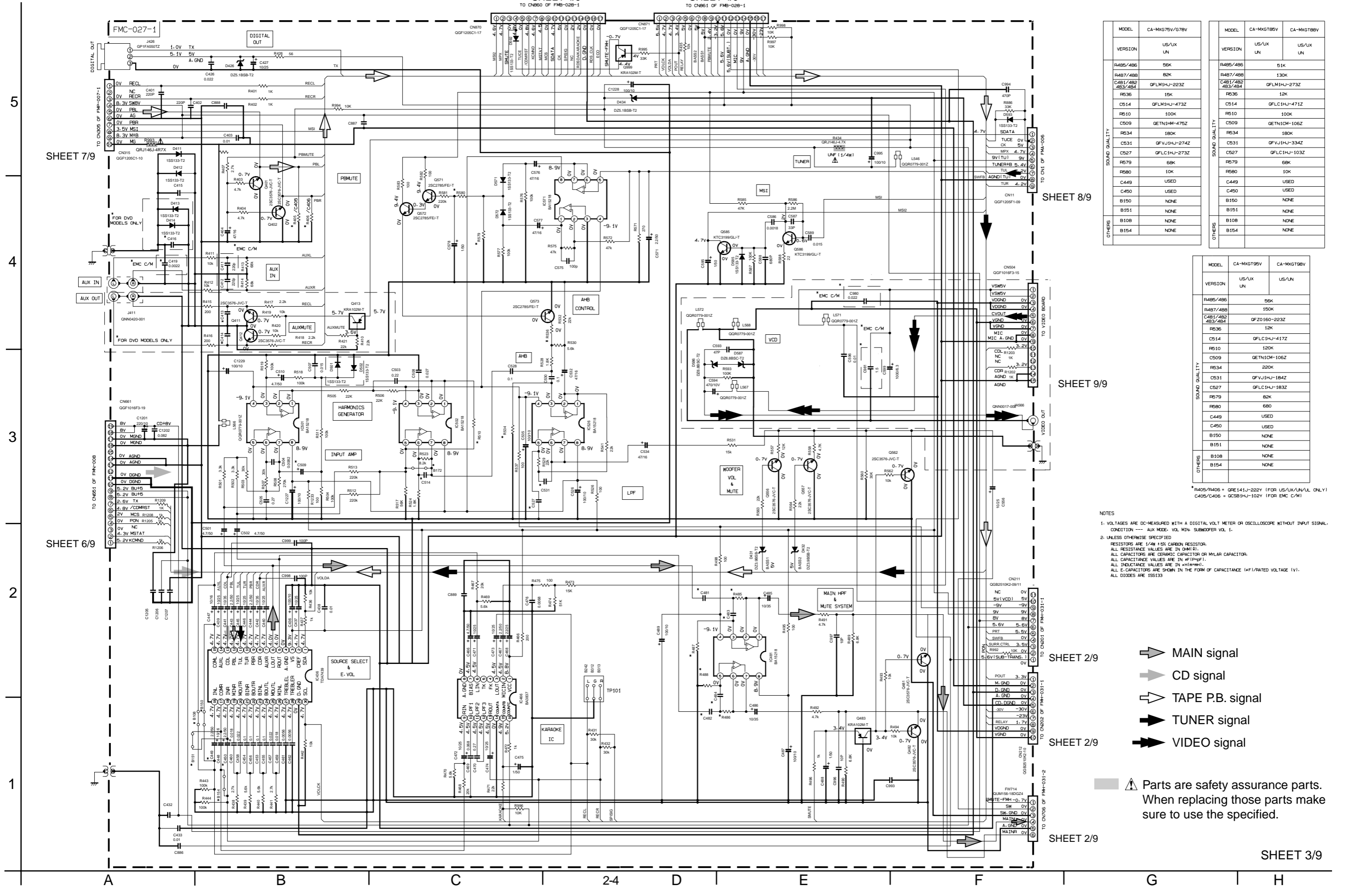
VERSIONS	CA-MXG75V/78V	CA-MX-GT85V/88V	CA-MXGT95/98V
REF. NAME	US/UN/UK	US/UN/UK	US/UN/UK
IC701	STK412-090	STK412-000	STK412-010
IC602	STK402-030	STK402-030	STK402-050
R281	4.7K	6.8K	10K
C721/C722	10/50	10/50	10/35
C204/C205	4700/56	4700/63	4700/63
C214/C215	2200/35	2200/35	2200/50
C217	47/63	47/63	47/100

➔ MAIN signal  
⚠ Parts are safety assurance parts. When replacing those parts make sure to use the specified.

Main section

SHEET 4/9  
TO CN860 OF FM3-028-1

SHEET 4/9  
TO CN861 OF FM3-028-1



MODEL	CA-MXG75V/G78V	MODEL	CA-MXG78V	CA-MXG78V
VERSION	US/UX UN	VERSION	US/UX UN	US/UX UN
R485/486	56K	R485/486	51K	
R487/488	62K	R487/488	130K	
C481/482 483/484	QFLM1HJ-223Z	C481/482 483/484	QFLM1HJ-273Z	
R536	15K	R536	12K	
C514	QFLM1HJ-473Z	C514	QFLC1HJ-471Z	
R510	100K	R510	100K	
C509	QETN1M-475Z	C509	QETN1CM-106Z	
R534	180K	R534	180K	
C531	QFVJ1HJ-274Z	C531	QFVJ1HJ-334Z	
C527	QFLC1HJ-273Z	C527	QFLC1HJ-103Z	
R579	68K	R579	68K	
R580	10K	R580	10K	
C449	USED	C449	USED	
C450	USED	C450	USED	
B150	NONE	B150	NONE	
B151	NONE	B151	NONE	
B108	NONE	B108	NONE	
B154	NONE	B154	NONE	

MODEL	CA-MXG75V	CA-MXG78V
VERSION	US/UX UN	US/UX UN
R485/486	56K	
R487/488	150K	
C481/482 483/484	QF20160-223Z	
R536	12K	
C514	QFLC1HJ-417Z	
R510	120K	
C509	QETN1CM-106Z	
R534	220K	
C531	QFVJ1HJ-1B4Z	
C527	QFLC1HJ-1B3Z	
R579	82K	
R580	680	
C449	USED	
C450	USED	
B150	NONE	
B151	NONE	
B108	NONE	
B154	NONE	

\*R405/R406 = QRE141J-222Y (FOR US/UX/UN/UL ONLY)  
C405/C406 = QCS31HJ-102Y (FOR EMC C/M)

- NOTES
1. VOLTAGES ARE DC-MEASURED WITH A DIGITAL VOLT METER OR OSCILLOSCOPE WITHOUT INPUT SIGNAL. CONDITION --- AUX MODE. VOL MIN. SUBWOOFER VOL 1.
  2. UNLESS OTHERWISE SPECIFIED  
RESISTORS ARE 1/4W 1% CARBON RESISTOR.  
ALL RESISTANCE VALUES ARE IN OHM(S).  
ALL CAPACITORS ARE CERAMIC CAPACITOR OR MYLAR CAPACITOR.  
ALL CAPACITANCE VALUES ARE IN #F(PpF).  
ALL INDUCTANCE VALUES ARE IN MH(MHML).  
ALL E-CAPACITORS ARE SHOWN IN THE FORM OF CAPACITANCE (uF)/RATED VOLTAGE (V).  
ALL DIODES ARE 1SS133

- ➔ MAIN signal
- ➔ CD signal
- ➔ TAPE P.B. signal
- ➔ TUNER signal
- ➔ VIDEO signal

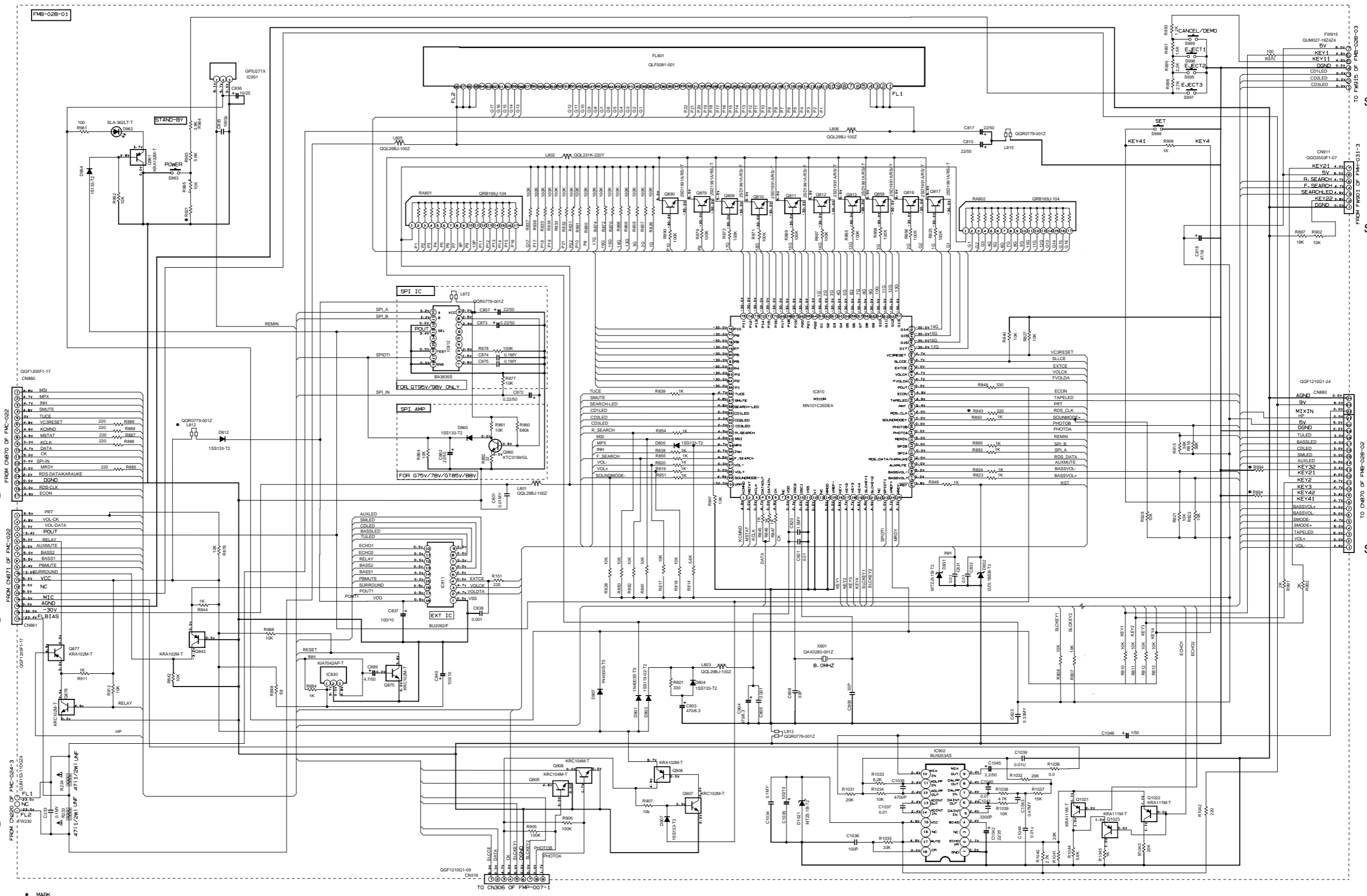
⚠ Parts are safety assurance parts.  
When replacing those parts make  
sure to use the specified.

FL & System control section

5  
4  
3  
2  
1

SHEET 3/9  
SHEET 3/9  
SHEET 1/9

SHEET 5/9  
SHEET 5/9  
SHEET 5/9



MARK	CA-MXG75V/78V UX	CA-MXG75V/78V US-UN	CA-MXG75V/88V UX	CA-MXG75V/88V US-UN	CA-MXG75V/98V UX	CA-MXG75V/98V US-UN
R821	330K	330K	75K	75K	18K	18K
R84	18K	18K	75K	75K	18K	75K
R843	18K	330K	18K	330K	18K	330K
R843	NONE	NONE	NONE	NONE	NONE	NONE
X8D1	QAX0283-001Z	QAX0283-001Z	QAX0283-001Z	QAX0283-001Z	QAX0283-001Z	QAX0283-001Z

SHEET 7/9

NOTES  
1. VOLTAGES ARE DC-MEASURED WITH A DIGITAL VOLT METER OR OSCILLOSCOPE WITHOUT INPUT SIGNAL.  
CONDITION --- AUX MODE, VOL. MIN., BASS LEVEL 1  
2. UNLESS OTHERWISE SPECIFIED  
RESISTORS ARE 1/4W 1% CARBON RESISTOR.  
ALL RESISTANCE VALUES ARE IN OHM(S).  
ALL CAPACITORS ARE CERAMIC CAPACITOR OR MLAR CAPACITOR.  
ALL CAPACITANCE VALUES ARE IN pF(PI-P).  
ALL INDUCTANCE VALUES ARE IN mH(MH).  
ALL CAPACITORS ARE SHOWN IN THE FORM OF CAPACITANCE (UF)/RATED VOLTAGE (V).  
ALL DIODES ARE 1SS133

Parts are safety assurance parts.  
When replacing those parts make  
sure to use the specified.

Front key section

5

4

3

2

1

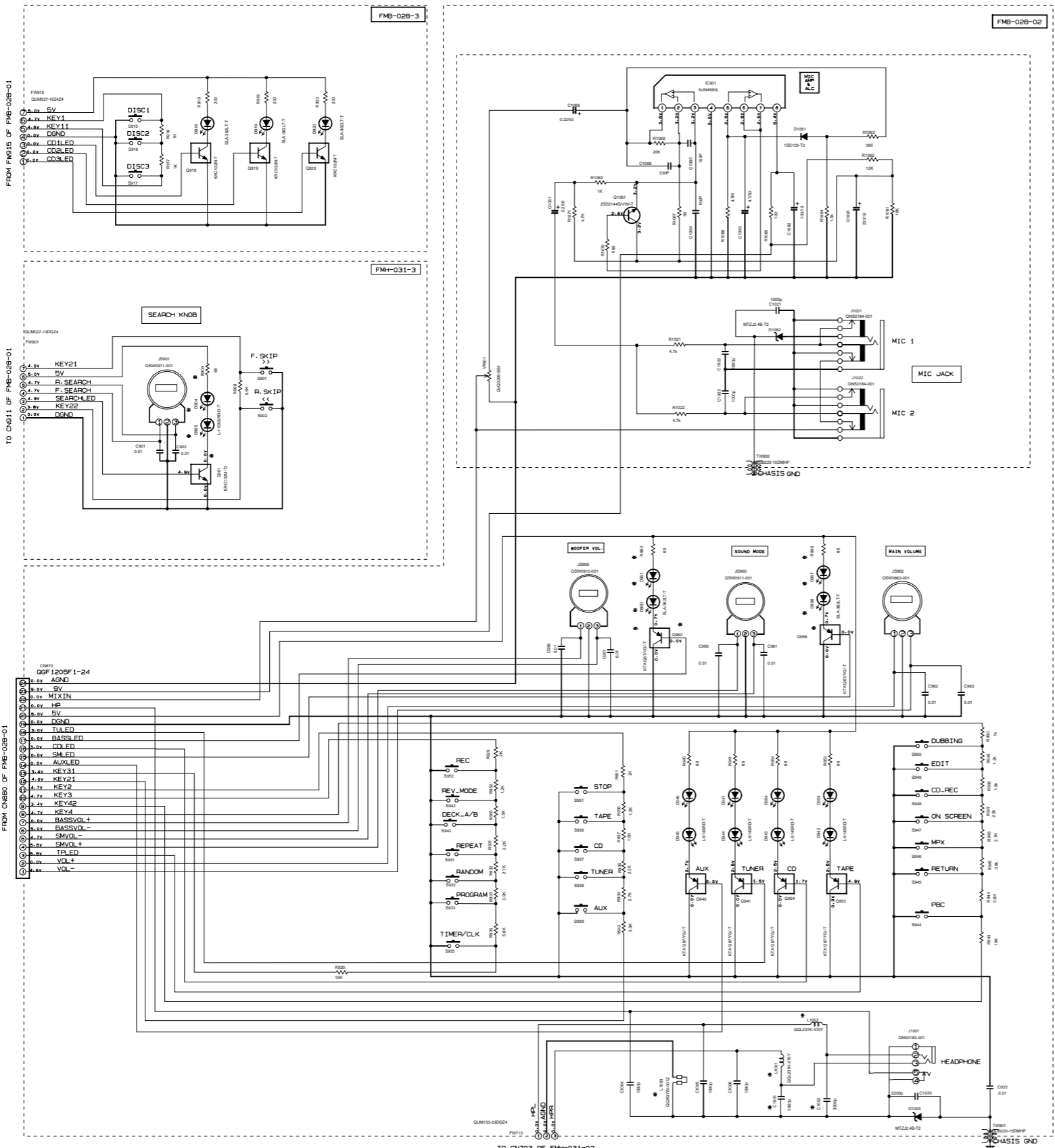
SHEET 4/9

SHEET 4/9

SHEET 4/9

SHEET 2/9

SHEET 5/9



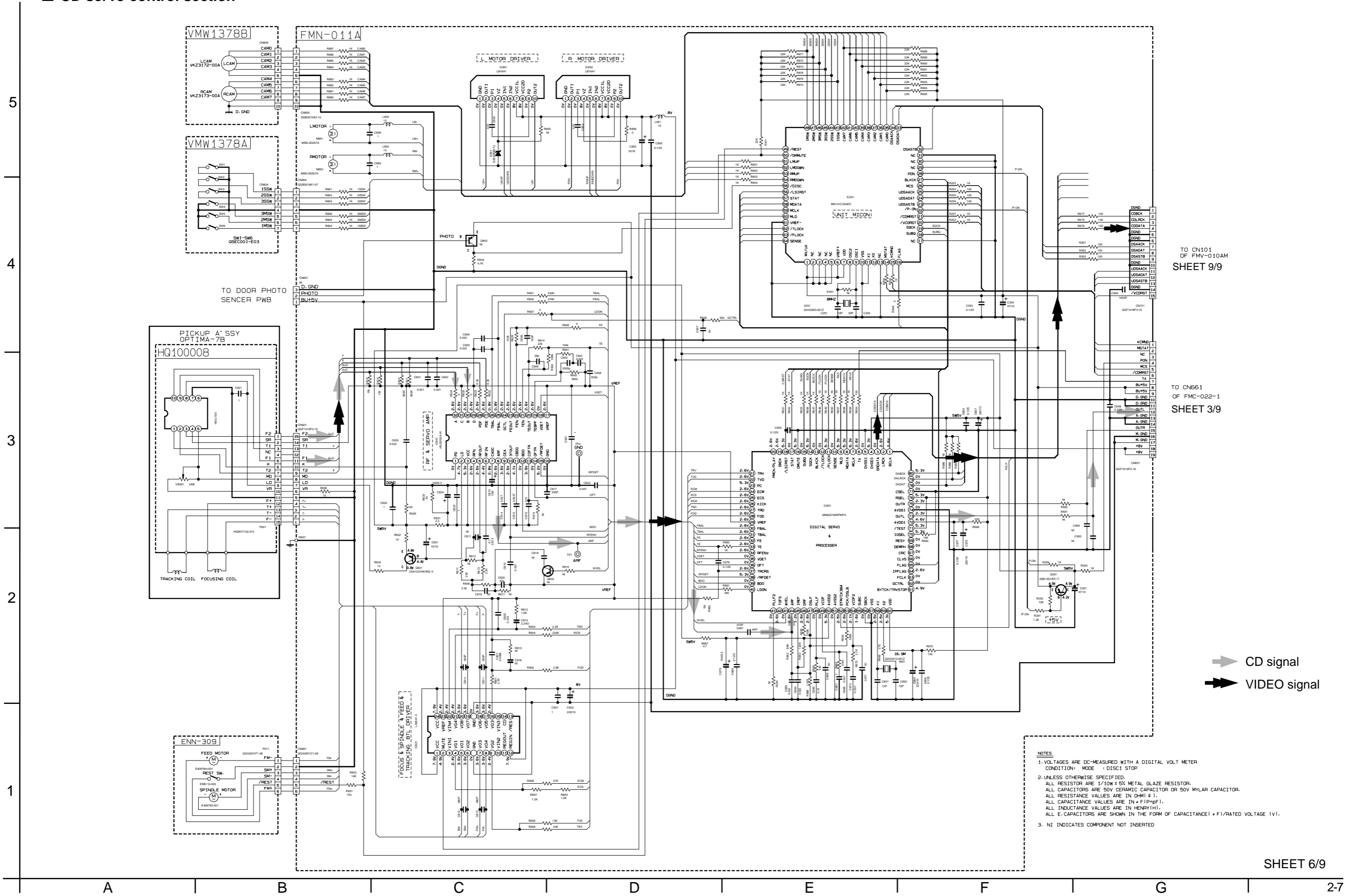
MARK

	CA-MXGT85V/78V US-UN	CA-MXGT75V/78V UX	CA-MXGT85V/88V US-UN	CA-MXGT85V/88V UX	CA-MXGT95V/88V US-UN	CA-MXGT95V/88V UX
D904, D905, D956, D957 D960, D961	NONE	NONE	NONE	NONE	SLA-362L-T	SLA-362L-T
L1001-L1002	SHORT	SHORT	SHORT	SHORT	SHORT	SHORT
C1001, C1002	NONE	NONE	NONE	NONE	NONE	NONE
L1003	GQL231K-2R2Y	GQL231K-2R2Y	GQL231K-2R2Y	GQL231K-2R2Y	GQL231K-2R2Y	GQL231K-2R2Y
R904, R956, R960	NONE	NONE	NONE	NONE	6B	6B
Q901	NONE	NONE	NONE	NONE	KPC102M-T	KPC102M-T
Q956, Q960	NONE	NONE	NONE	NONE	KTA1267/YG/-T	KTA1267/YG/-T

NOTES  
1. VOLTAGES ARE DC-MEASURED WITH A DIGITAL VOLT METER OR OSCILLOSCOPE WITHOUT INPUT SIGNAL.  
CONDITION --- AUX MODE, VOL. MDN, BASS OFF.  
2. UNLESS OTHERWISE SPECIFIED  
RESISTORS ARE 1/4W ± 5% CARBON RESISTOR.  
ALL RESISTANCE VALUES ARE IN OHMS.  
ALL CAPACITORS ARE CERAMIC CAPACITOR OR MYLAR CAPACITOR.  
ALL CAPACITANCE VALUES ARE IN μF(±10%).  
ALL INDUCTANCE VALUES ARE IN mH(±10%).  
ALL CAPACITORS ARE SHOWN IN THE FORM OF CAPACITANCE (μF/RATED VOLTAGE (V)).  
ALL DIODES ARE 1SS133



CD servo control section



TO CN101  
OF FMV-010AM  
SHEET 9/9

TO CN61  
OF FMC-022-1  
SHEET 3/9

➡ CD signal  
➡ VIDEO signal

- NOTES
1. VOLTAGES ARE DC-MEASURED WITH A DIGITAL VOLT METER  
CONDITION: MODE : DISC1 STOP
  2. UNLESS OTHERWISE SPECIFIED.  
ALL RESISTORS ARE 1/10W ± 5% METAL GLAZE RESISTOR.  
ALL CAPACITORS ARE 50V CERAMIC CAPACITOR OR 50V MYLAR CAPACITOR.  
ALL RESISTANCE VALUES ARE IN Ω(M) Ω (K) Ω (M).  
ALL CAPACITANCE VALUES ARE IN nF(pF).  
ALL INDUCTANCE VALUES ARE IN HENRY(H).  
ALL E-CAPACITORS ARE SHOWN IN THE FORM OF CAPACITANCE (F) / RATED VOLTAGE (V).
  3. NI INDICATES COMPONENT NOT INSERTED

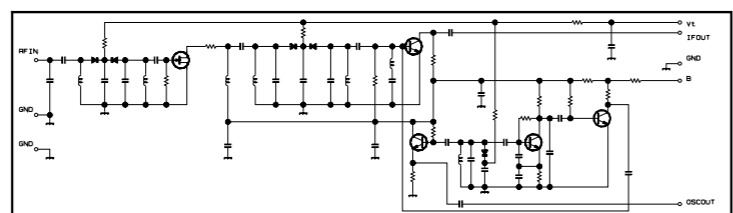
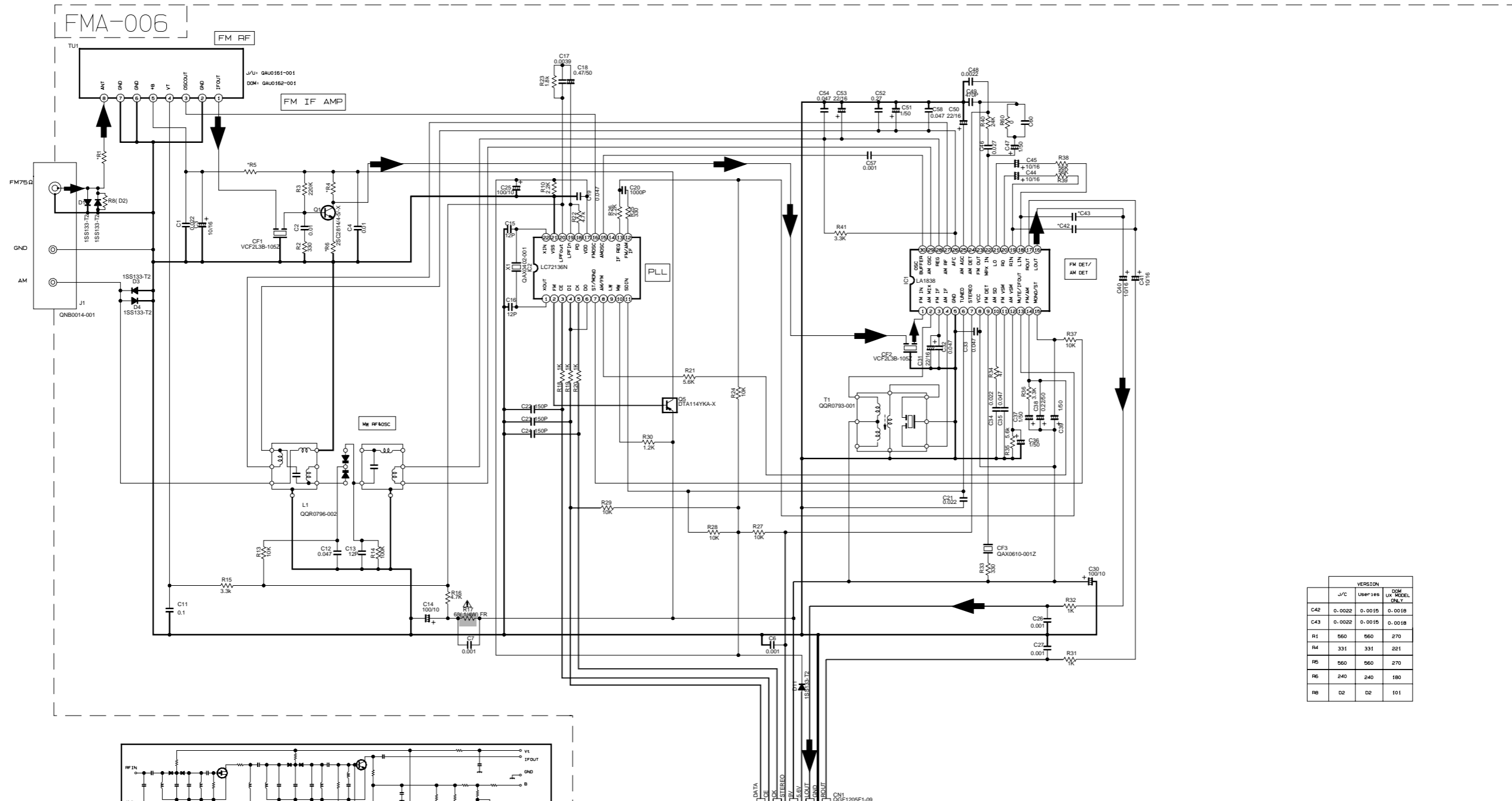
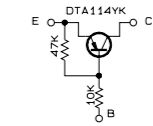


■ Tuner section

NOTES

1. VOLTAGES ARE DC-MEASURED WITH A DIGITAL VOLT METER.
2. ALL RESISTORS ARE 1/8W ±5% METAL GLAZE RESISTOR.
3. ALL RESISTANCE VALUES ARE IN OHM(Ω).
4. ALL CAPASITANCE VALUES ARE IN \*F(P=pF).
5. ALL E. CAPASITORS ARE SHOWN IN THE FORM OF CAPASITANCE (\*F)/RATED VOLTAGE (V).
6. SI DIODES (▶) ARE ALL 1SS133-T THAT CAN BE CHANGED TO SIMILAR DIODE SUCH AS MA165 OR HSS104J.
7. PARTS NO. OF TRANSISTORS ARE AS FOLLOWS.  
Q1 2SC2814/4-B/-X Q2-Q3 2SC2412K/R/-X  
Q4-Q5 DTA114KA-X

B. INSIDE OF DIGITAL TRANSISTORS ARE SHOWN AS FOLLOWS:



VERSION			
J/C	USER#188	QSM	MODEL
		UX	DBL
C42	0.0022	0.0015	0.0018
C43	0.0022	0.0015	0.0018
R1	560	560	270
R4	331	331	221
R5	560	560	270
R6	240	240	180
R8	02	02	101

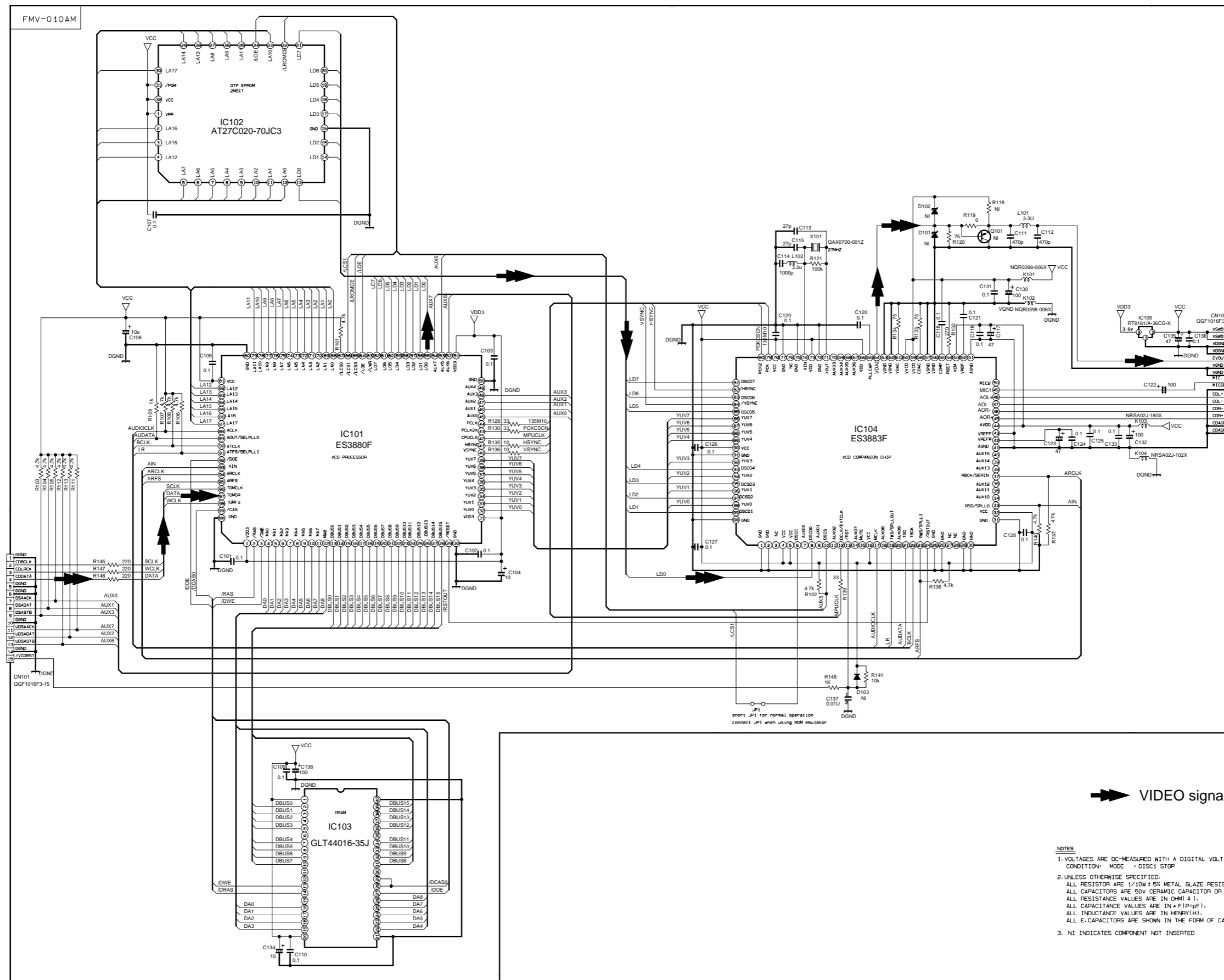
CONDITON	PIN NO.	1	2	3	4	5	6	7	8	9	10	11	12	13	14	15	16	17	18	19	20	21	22	23	24	25	26	27	28	29	30
IC1	FM 600B STEREO	3.6	8.9	3.6	3.6	0	5.0	5.0	8.9	8.9	1.3	0.1	0	0.9	7.8	7.8	4.3	4.3	4.3	4.3	3.4	3.4	2.8	3.4	0	0	3.5	3.5	3.6	3.6	2.7
	AM NO SIGNAL	3.5	9.0	3.5	3.5	0	5.0	5.1	9.0	2.6	1.3	0	0	0.9	4.7	5.5	4.3	4.3	4.3	4.3	3.3	3.2	2.8	ust	0.7	0.7	3.6	3.6	3.6	3.6	2.1
IC2	FM NO SIGNAL	2.5	0	0	5.0	4.9	5.0	7.9	7.8	3.6	6.1	5.1	0	0	0	0	2.5	5.1	0.9	0.9	3.8	0	2.3								

Tr. NO.	Q1	Q5	
PIN NO.	E C B E C B		
FM 87.5MHz NO SIGNAL	0 7.1 0.85 8.9 8.8 0		
AM 522kHz NO SIGNAL	0 0 0 9.0 0 8.9		
Tr. NO.	Q2	Q3	Q4
PIN NO.	E C B E C B E C B		
AM 522kHz NO SIGNAL	0 0 0.7 0 0 0.7 0 3.6 0.7		
AM 144kHz NO SIGNAL	0 0 0.3 0 0.3 0.3 3.6 3.6 3.6		

➔ TUNER signal

⚠ Parts are safety assurance parts. When replacing those parts make sure to use the specified.

■ VCD section



TO MAIN PWB  
SHEET 3/9

➔ VIDEO signal

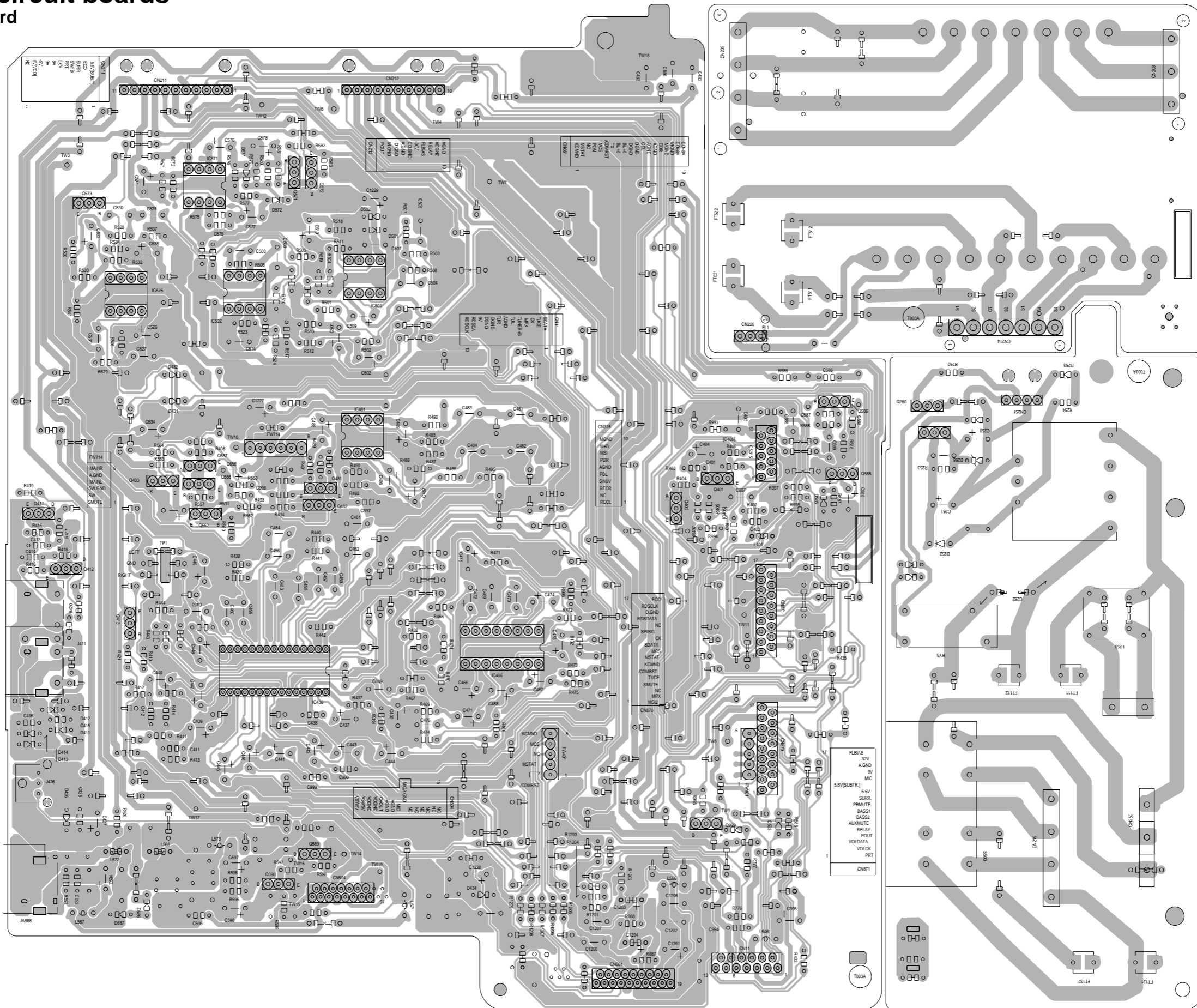
- NOTES
1. VOLTAGES ARE DC-MEASURED WITH A DIGITAL VOLT METER  
CONDITION: MODE 1 DISC1 STOP
  2. UNLESS OTHERWISE SPECIFIED:  
ALL RESISTORS ARE 1/10W ± 5% METAL GLAZE RESISTOR.  
ALL CAPACITORS ARE 50V CERAMIC CAPACITOR OR 50V MYLAR CAPACITOR.  
ALL RESISTANCE VALUES ARE IN Ω(M Ω).  
ALL CAPACITANCE VALUES ARE IN pF(pF).  
ALL INDUCTANCE VALUES ARE IN HENRY(H).
  3. NI INDICATES COMPONENT NOT INSERTED

# Printed circuit boards

■ Main board

5  
4  
3  
2  
1

A B C D E F G



Transformer board

Eco board

MX-GT98V/MX-GT95V/MX-GT88V  
MX-GT85V/MX-G78V/MX-G75V

MX-GT98V/MX-GT95V/MX-GT88V  
MX-GT85V/MX-G78V/MX-G75V

■ Regulation & amplifier board

5

4

3

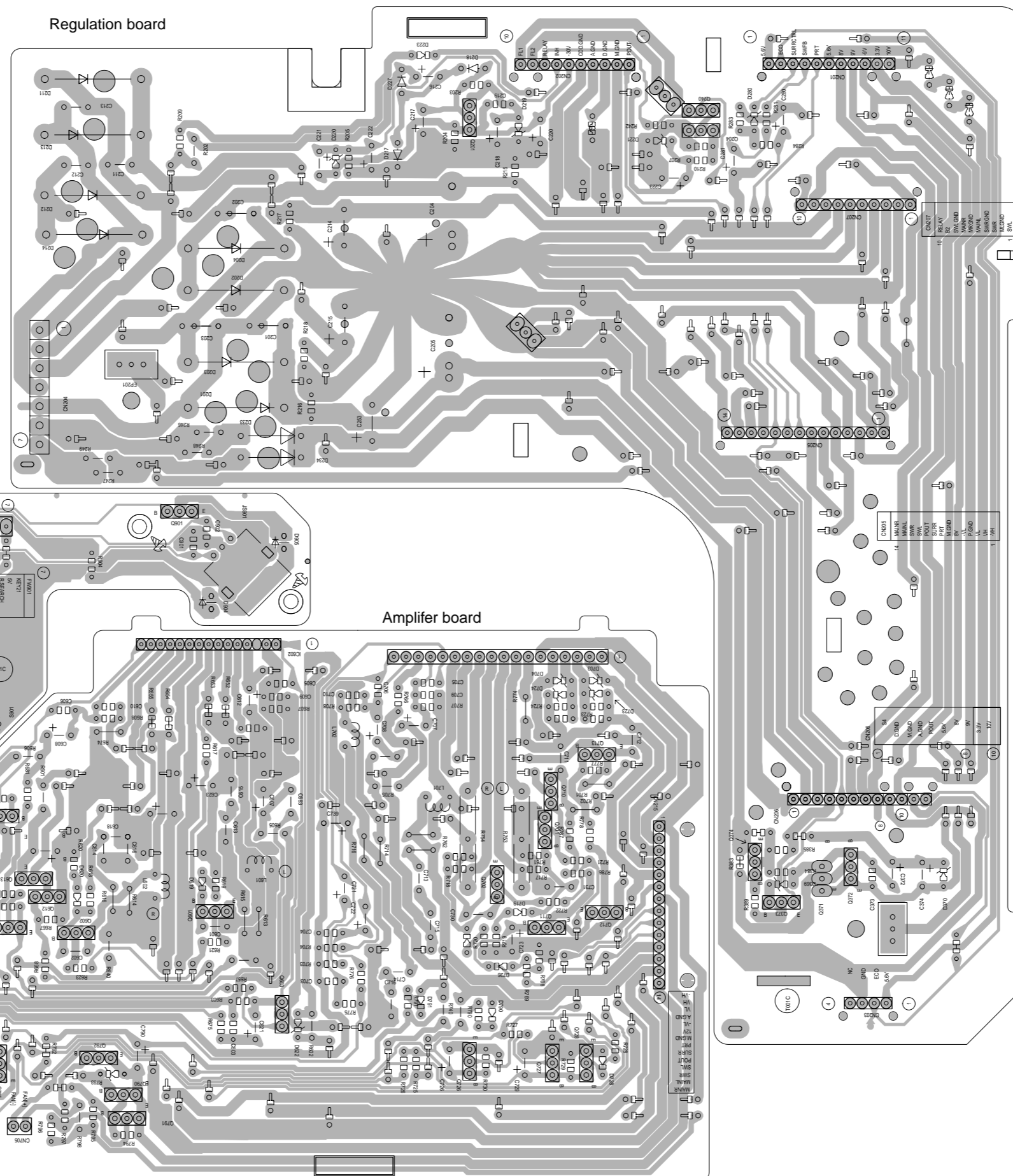
2

1

Regulation board

Preset/ tuning switch board

Amplifier board



A

B

C

2-12

D

E

F

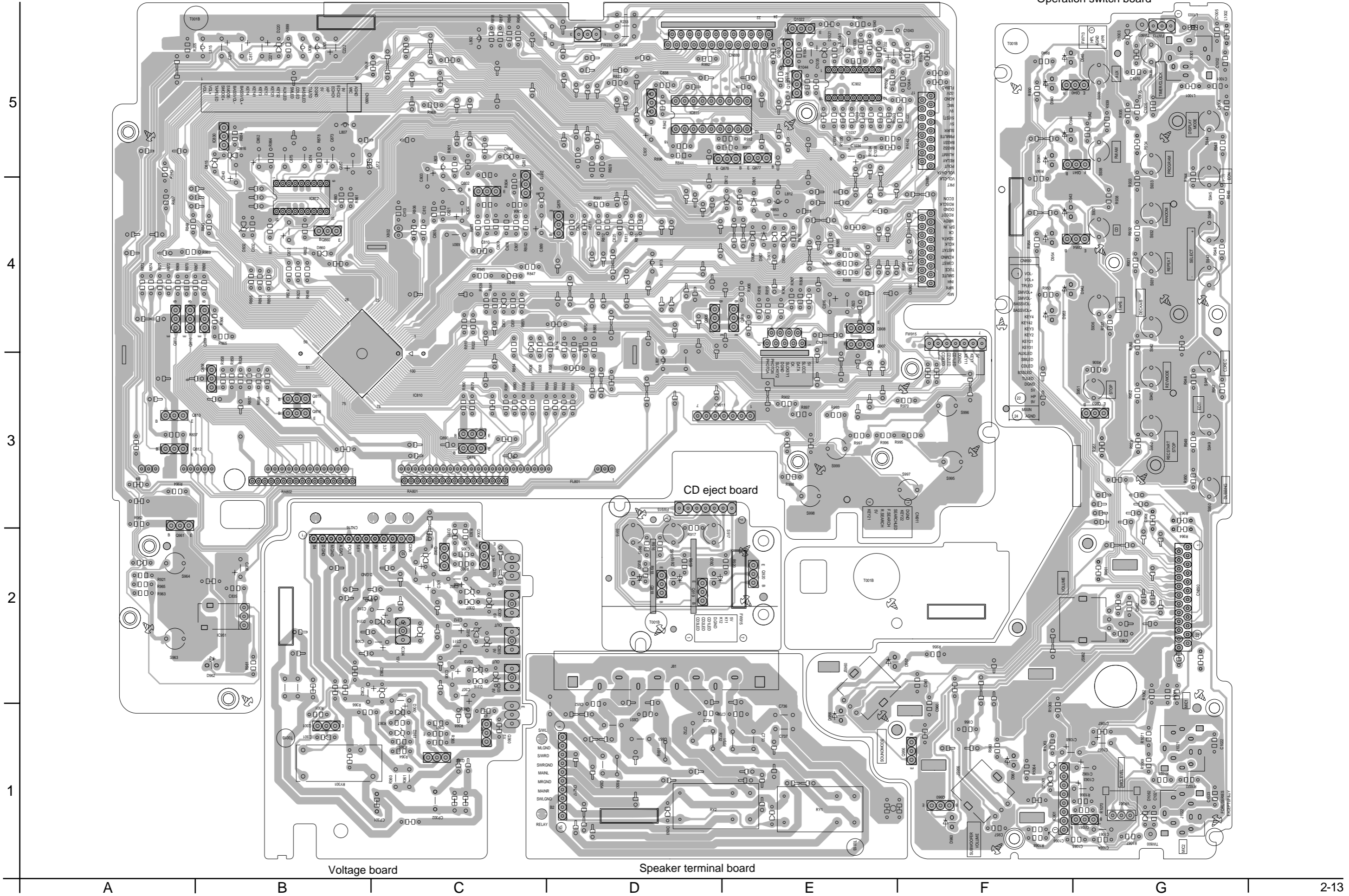
G

H

■ Front board

Display & system control board

Operation switch board



Voltage board

Speaker terminal board

A

B

C

D

E

F

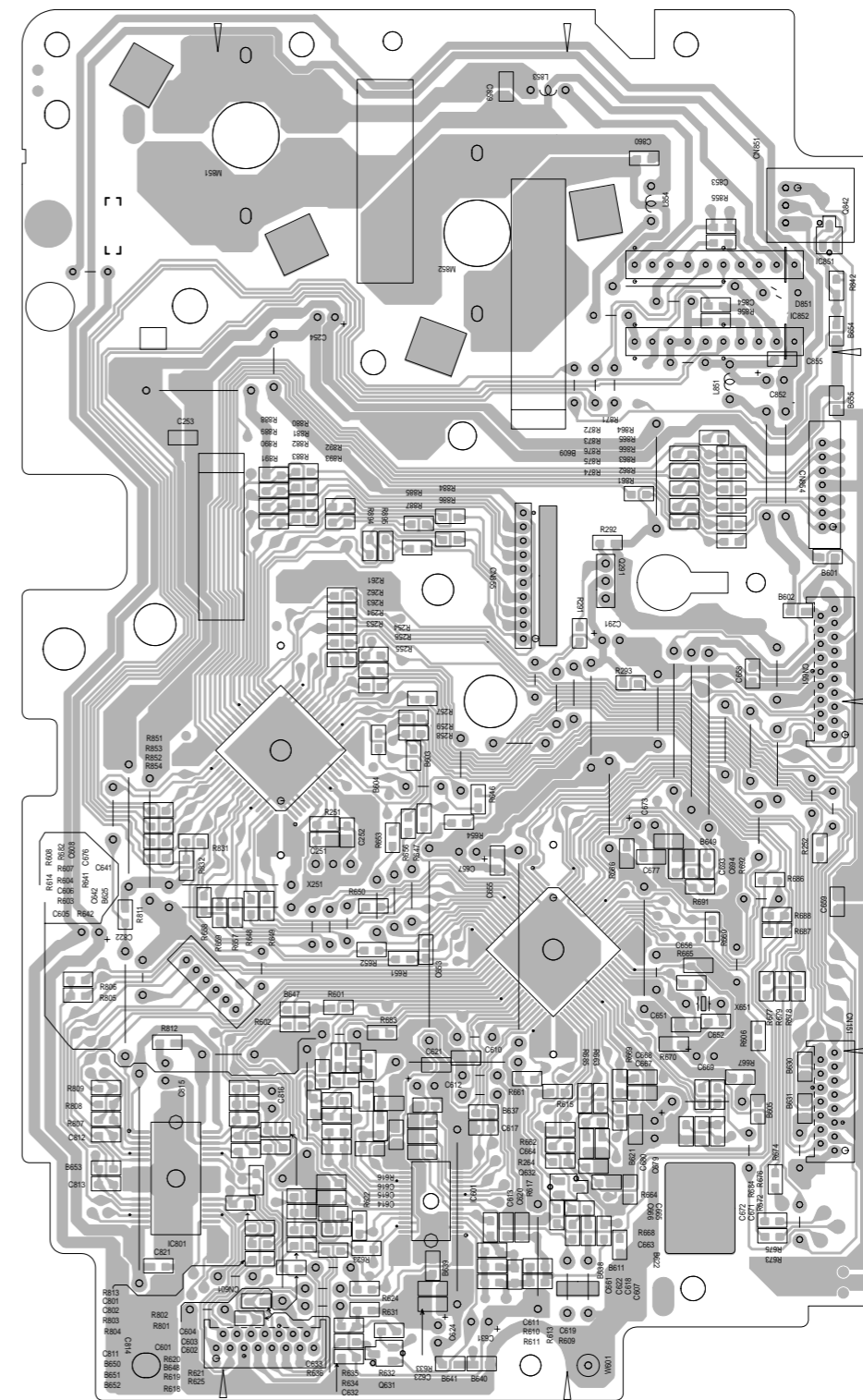
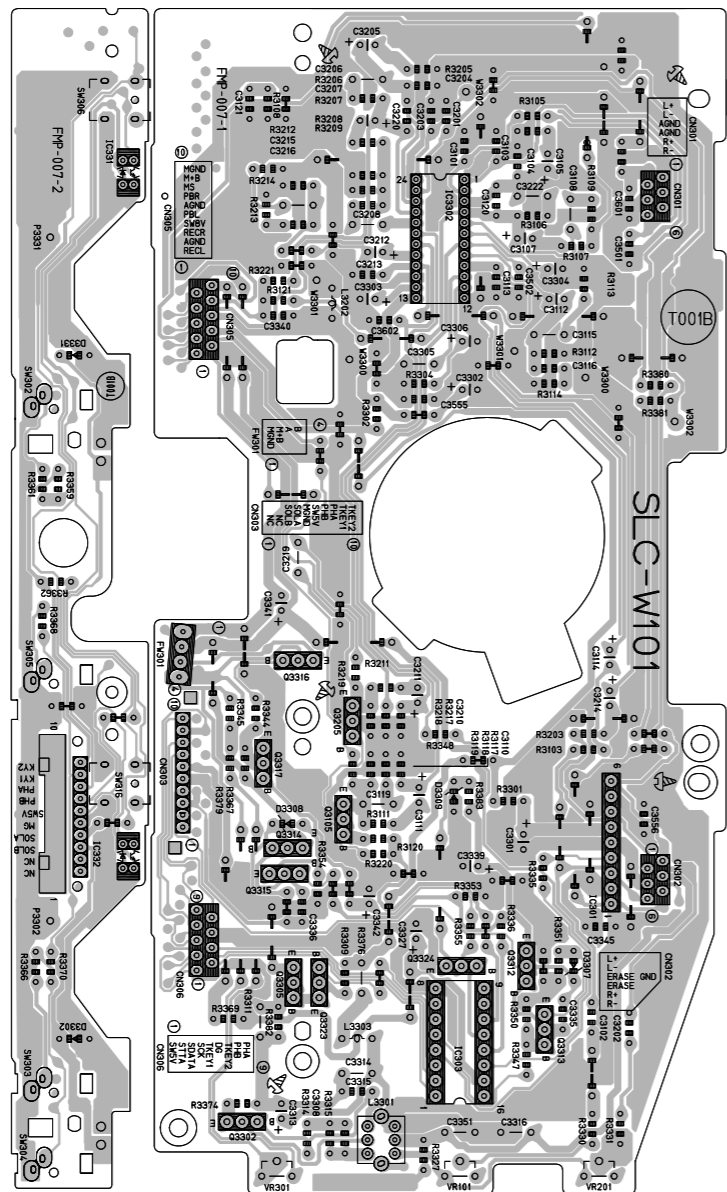
G

MX-GT98V/MX-GT95V/MX-GT88V  
MX-GT85V/MX-G78V/MX-G75V

MX-GT98V/MX-GT95V/MX-GT88V  
MX-GT85V/MX-G78V/MX-G75V

■ Head amplifier & mechanism control board

■ CD servo control board



5

4

3

2

1

A

B

C

2-14

D

E

F

G

H



